



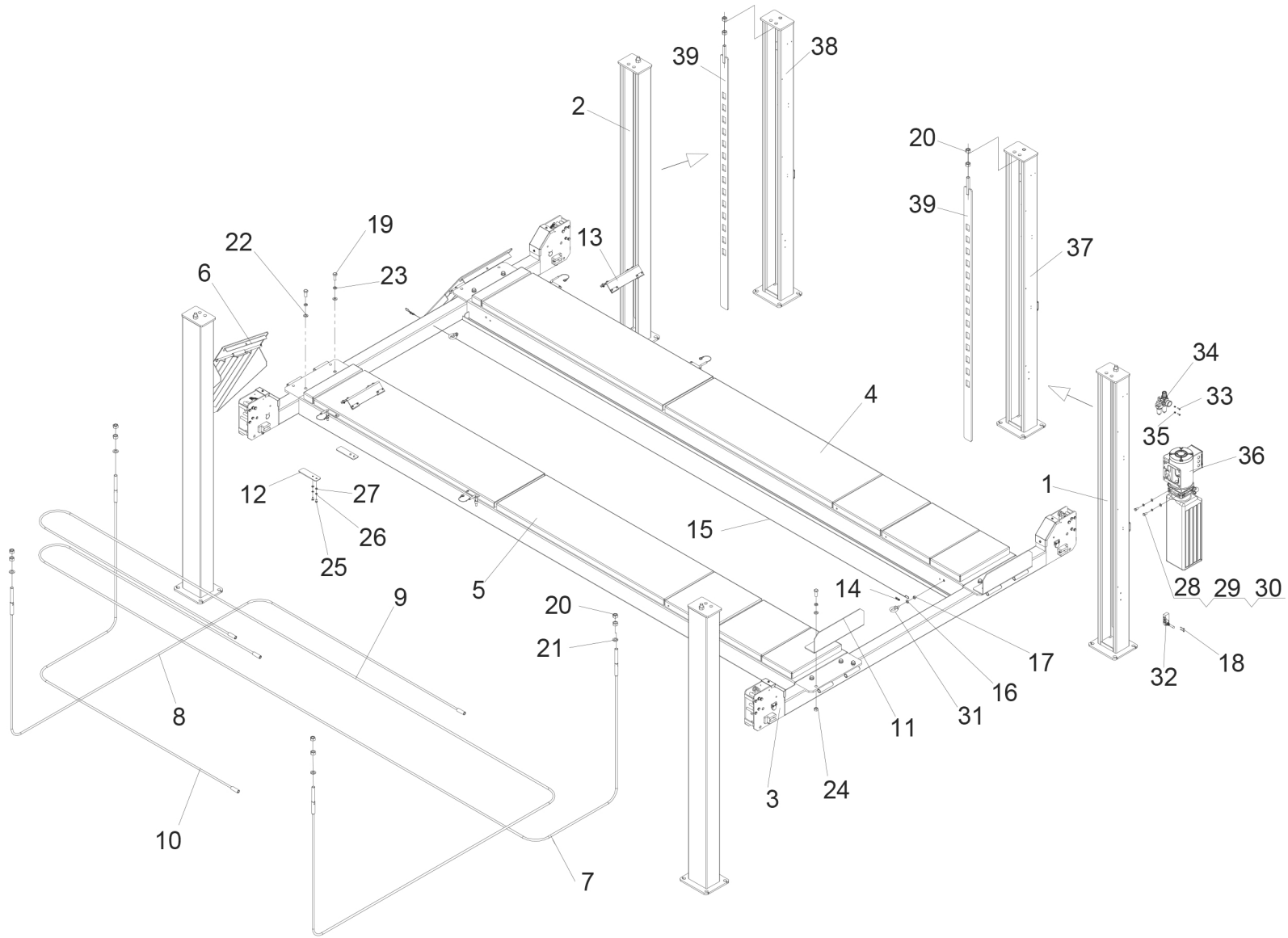
ЧЕТЫРЕХСТОЕЧНЫЙ ЭЛЕКТРОГИДРАВЛИЧЕСКИЙ ПОДЪЕМНИК

ПГА-6500/4



КАТАЛОГ ЗАПЧАСТЕЙ

EAC

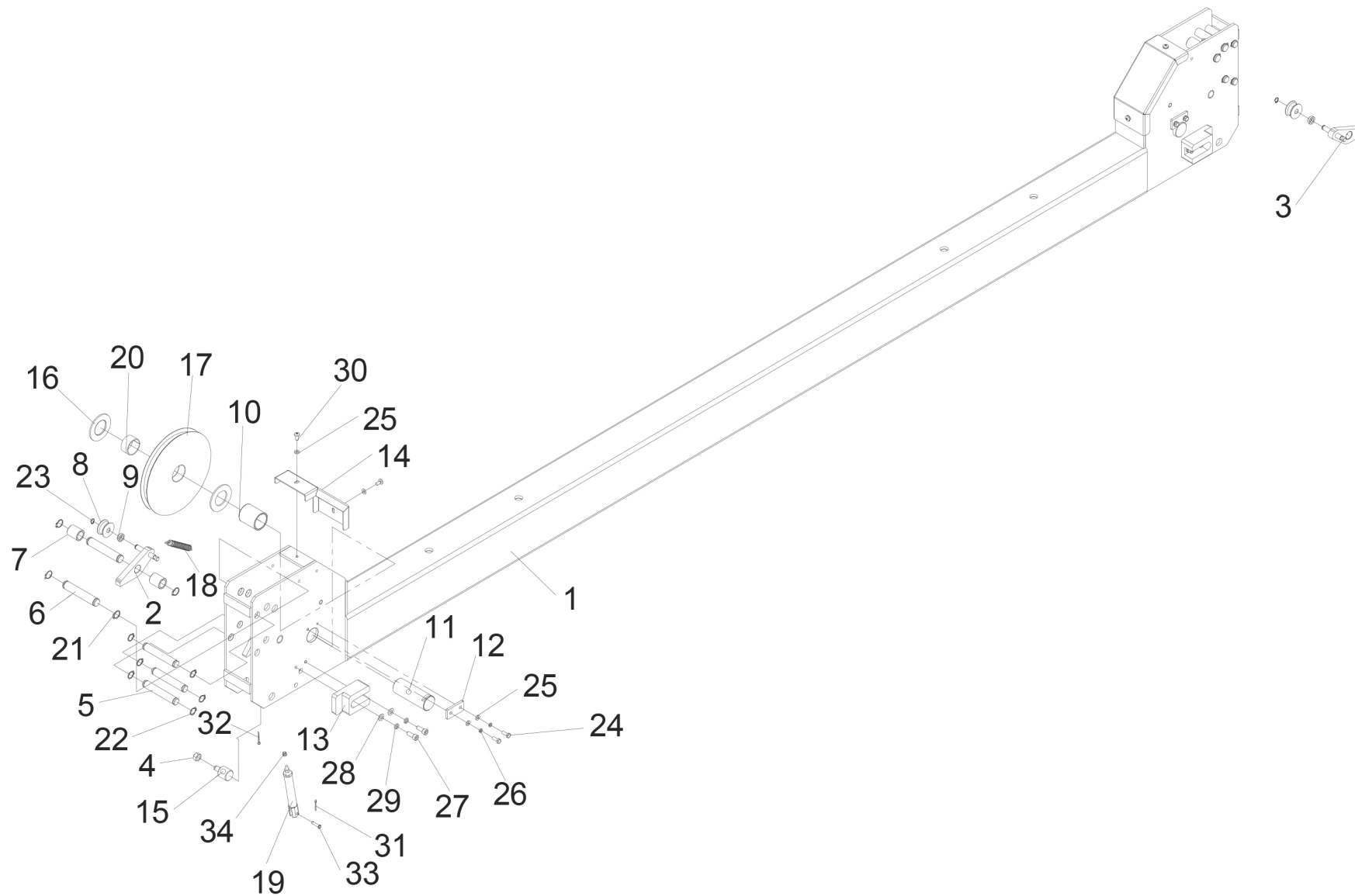


TAV.0	LIFT	ED. 01/19
-------	------	-----------

ITEM	PART NO.	DESCRIPTION	QTY	REMARK
1	Z72E110000	Power-side column	1	
2	Z72E120000	Off-side column	3	
3	Z72E200000	Transverse beam assembly	2	
4	Z72E310000	Power-side platform assembly	1	
5	Z72E320000	Off-side platform assembly	1	
6	Z72E810000	Drive-on ramp assembly	2	
7	Z72E850100	Steel cable A L=8930	1	
8	Z72E850200	Steel cable B L=5525	1	
9	Z72E850300	Steel cable C L=10630	1	
10	Z72E850400	Steel cable D L=3825	1	
11	Z72E310002	Wheel stop plate	2	
12	Z72E310011	Protective plate	4	
13	Z72A300100	Wheel chock	2	
14	0215085	Wire clamp	2	
15	0604001	Cable L=5400	1	
16	0205013	Washer D.12 - GB/T97.1	2	
17	0203023	Nut M12 - GB/T6170	2	
18	0206018	Screw M4X30 - GB/T818	2	
19	0201130	Screw M16X40 - GB/T5783	12	
20	0203012	Nut M20 - GB/T6170	16	
21	0205022	Washer D.20 - GB/T97.1	4	
22	0205020	Washer D.16 - GB/T97.1	12	
23	0208011	Locking washer D.16 - GB/T93	12	
24	0203025	Nut M16 - GB/T6170	4	
25	0201026	Screw M8X16 - GB/T5783	8	
26	0208006	Locking washer D.8 - GB/T93	8	
27	0205008	Washer D.8 - GB/T97.1	8	

TAV.0	LIFT	ED. 01/19
-------	------	-----------

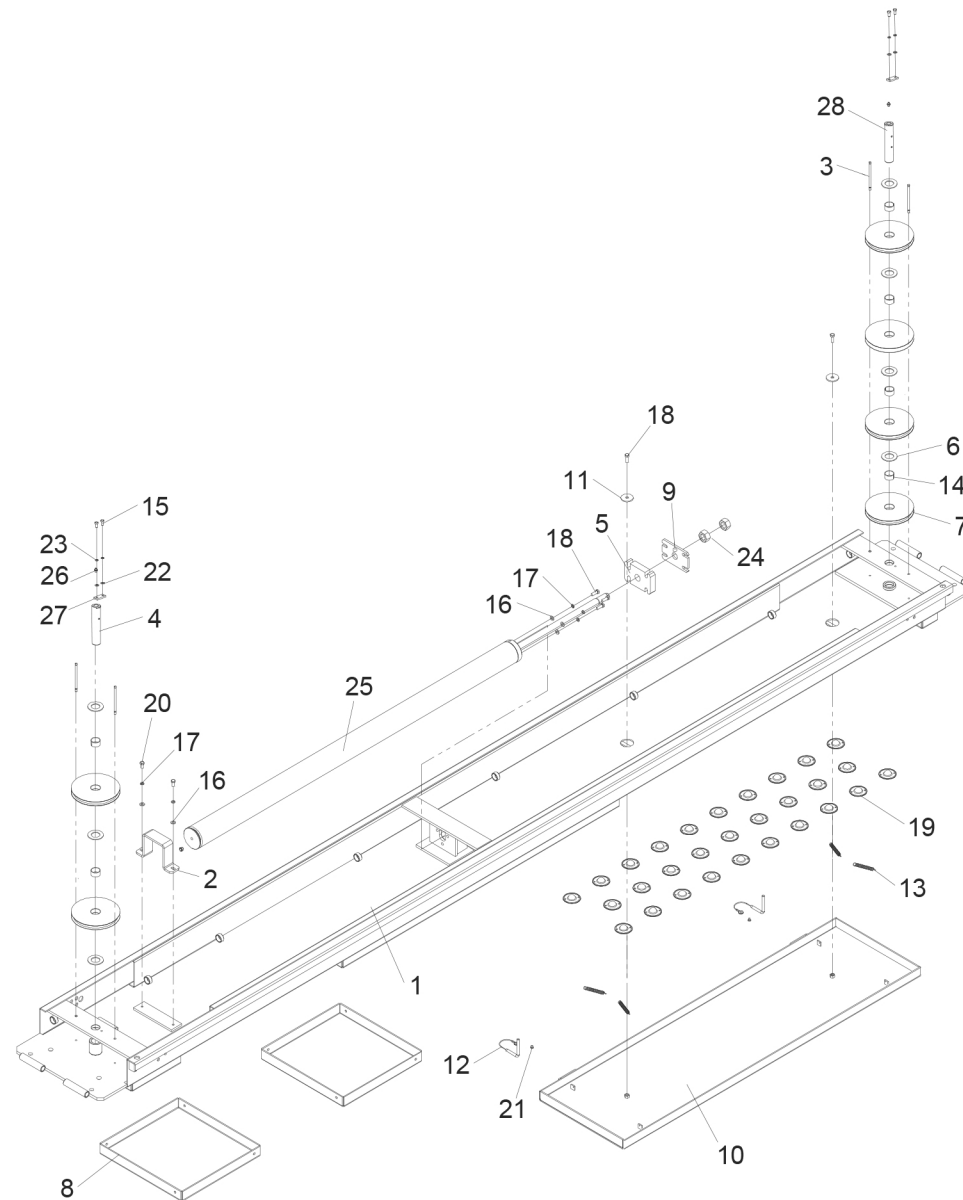
28	0201062	Screw M10X20 - GB/T5783	2
29	0205011	Washer D.10 - GB/T97.1	2
30	0208007	Locking washer D.10 – GB/T93	2
31	0215028	Bolt M12 - GB/T825	2
32	0306258	Air control valve	1
33	0206025	Screw M5X18 - GB/T818	2
34	0306179	Filter regulator	1
35	0204002	Self-locking nut M5 - GB/T889.1	2
36	0302012	Hydraulic power unit	1
37	Z72E111000	Post A	1
38	Z72E121000	Post B	3
39	Z72E122000	Safety rack	4



TAV.3.0	TRANSVERSE BEAM	ED. 01/19
---------	-----------------	-----------

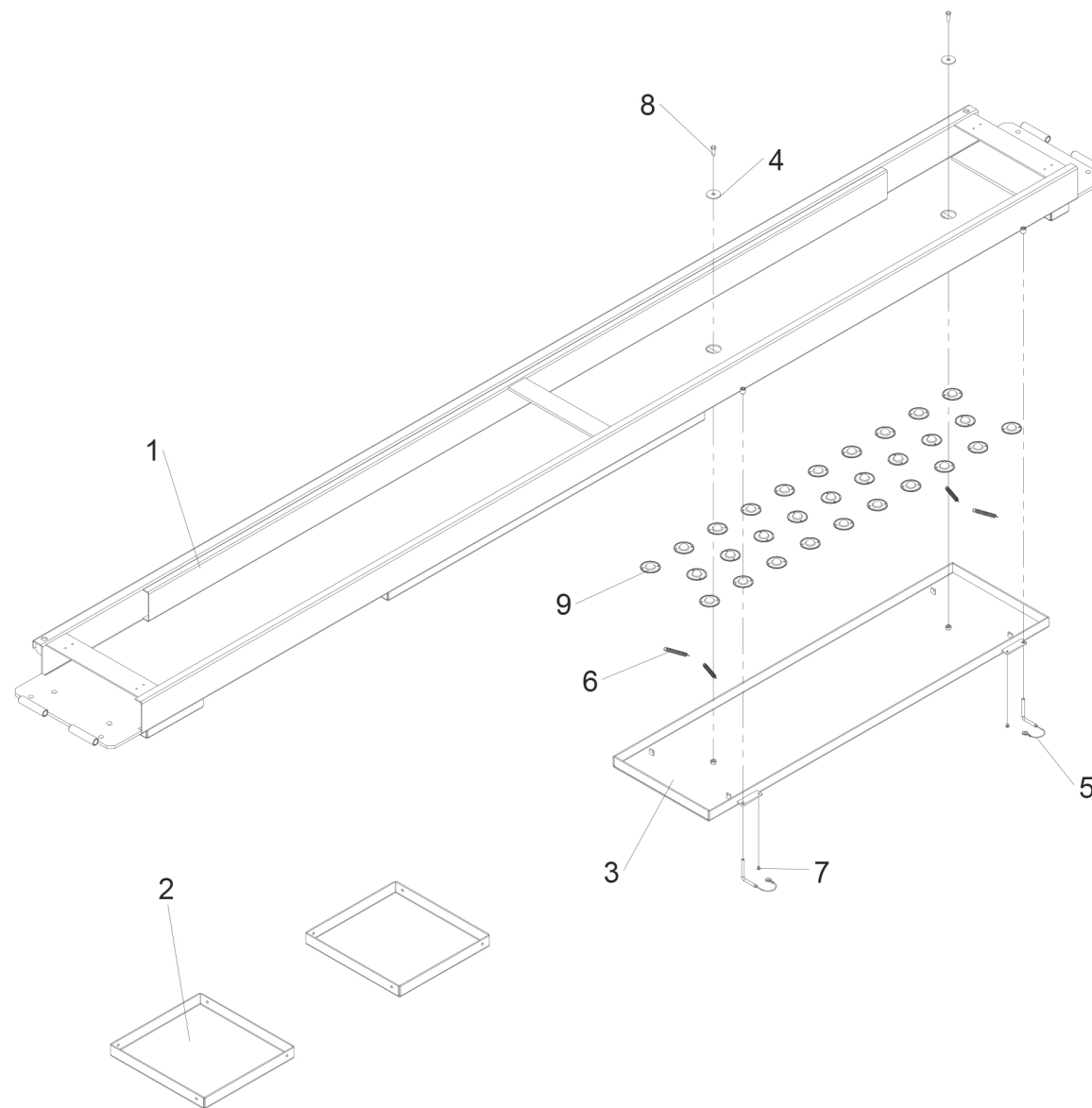
ITEM	PART NO.	DESCRIPTION	QTY	REMARK
1	Z72E210000	Transverse beam	1	
2	Z72E220000	Safety pawl A	1	
3	Z72E230000	Safety pawl B	1	
4	0203011	Nut M10 - GB/T6170	2	
5	Z72E200001	Shaft 1	6	
6	Z72E200002	Shaft 2	4	
7	Z72E200003	Bush	4	
8	Z72E200004	Nylon roller	2	
9	Z72E200005	Spacer	2	
10	Z72E200006	Bush	2	
11	Z72E200007	Shaft 3	2	
12	Z72E200008	Protective plate	2	
13	Z72E200009	Slider	4	
14	Z72E200010	Protective cover	2	
15	Z72E200011	Shaft 4	2	
16	Z72E310003	Washer	4	
17	Z72E310004	Cable pulley	2	
18	Z71P211811	Spring	2	
19	0306293	Safety release air cylinder 16X40	2	
20	0210021	Bush 3520/SF-1	2	
21	0212016	Seeger D.18	8	
22	0212002	Seeger D.16	12	
23	0212013	Seeger D.10	2	
24	0201013	Screw M6X16 - GB/T5783	4	
25	0205006	Washer D.6 - GB/T97.1	8	
26	0208005	Spring washer D.6 - GB/T93	4	
27	0202045	Screw M8X20 - GB/T70.1	8	

28	0205008	Washer D.8 - GB/T97.1	8
29	0208006	Locking washer D.8 - GB/T93	8
30	0206040	Screw M6X12 - GB/T818	4
31	0213044	Split pin 2X20 - GB/T91	2
32	0213038	Split pin 2.5X26 - GB/T91	2
33	0213134	Pin 5x22	2
34	0204002	Self-locking nut M5	2



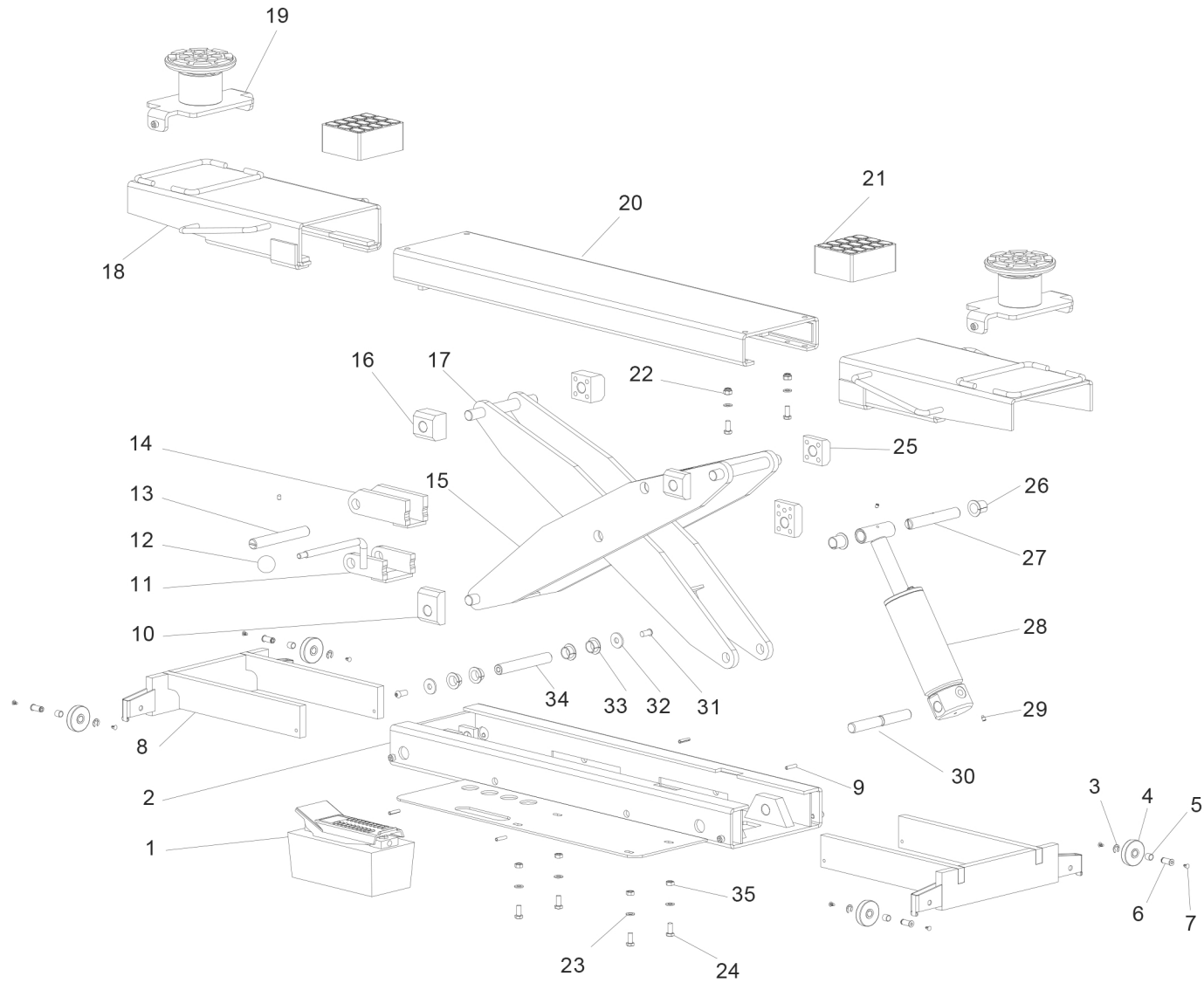
TAV.4.0	POWER-SIDE RUNWAY	ED. 01/19
---------	-------------------	-----------

ITEM	PART NO.	DESCRIPTION	QTY	REMARK
1	Z72E311000	Power-side platform	1	
2	Z72E310009	Cylinder U plate	1	
3	Z72B310014	Shaft	4	
4	Z72E310101	Pulley shaft	1	
5	Z72E310001	Cable holder	1	
6	Z72E310003	Pulley spacer	7	
7	Z72E310004	Cable pulley	6	
8	Z72E310008	Turntable cover	2	
9	Z72E310010	Cable retainer	1	
10	Z72E310200	Slipping plate	1	
11	Z72A300003	Washer	2	
12	Z72A339000	Stop pin	2	
13	Z71P211811	Spring	4	
14	0210021	Bush 3520/SF-1	6	
15	0201026	Screw M8X16 - GB/T5783	4	
16	0205011	Washer D.10 - GB/T97.1	5	
17	0208007	Locking washer D.10 - GB/T93	5	
18	0201049	Screw M10X30 - GB/T5783	5	
19	0215087	Steel ball bearing	29	
20	0201062	Screw M10X20 - GB/T5783	2	
21	0206036	Screw M6X8 - GB/T818	2	
22	0205008	Washer D.8 - GB/T97.1	4	
23	0208006	Locking Washer D.8 - GB/T93	4	
24	0204011	Nut M27	2	
25	Z72AY85000	Hydraulic cylinder	1	
26	0215021	Greaser	2	
27	Z71P310002	Spacer	2	
28	Z72E310102	Pulley shaft	1	



TAV.5.0	OFF-SIDE RUNWAY	ED. 01/19
---------	-----------------	-----------

ITEM	PART NO.	DESCRIPTION	QTY	REMARK
1	Z72E321000	Off-side platform	1	
2	Z72E310008	Turntable cover	2	
3	Z72E310200	Slipping plate	1	
4	Z72A300003	Washer	2	
5	Z72A339000	Stop pin	2	
6	Z71P211811	Spring	4	
7	0206036	Screw M6X8 - GB/T818	2	
8	0201049	Screw M10X30 - GB/T5783	2	
9	0215087	Steel ball bearing	29	

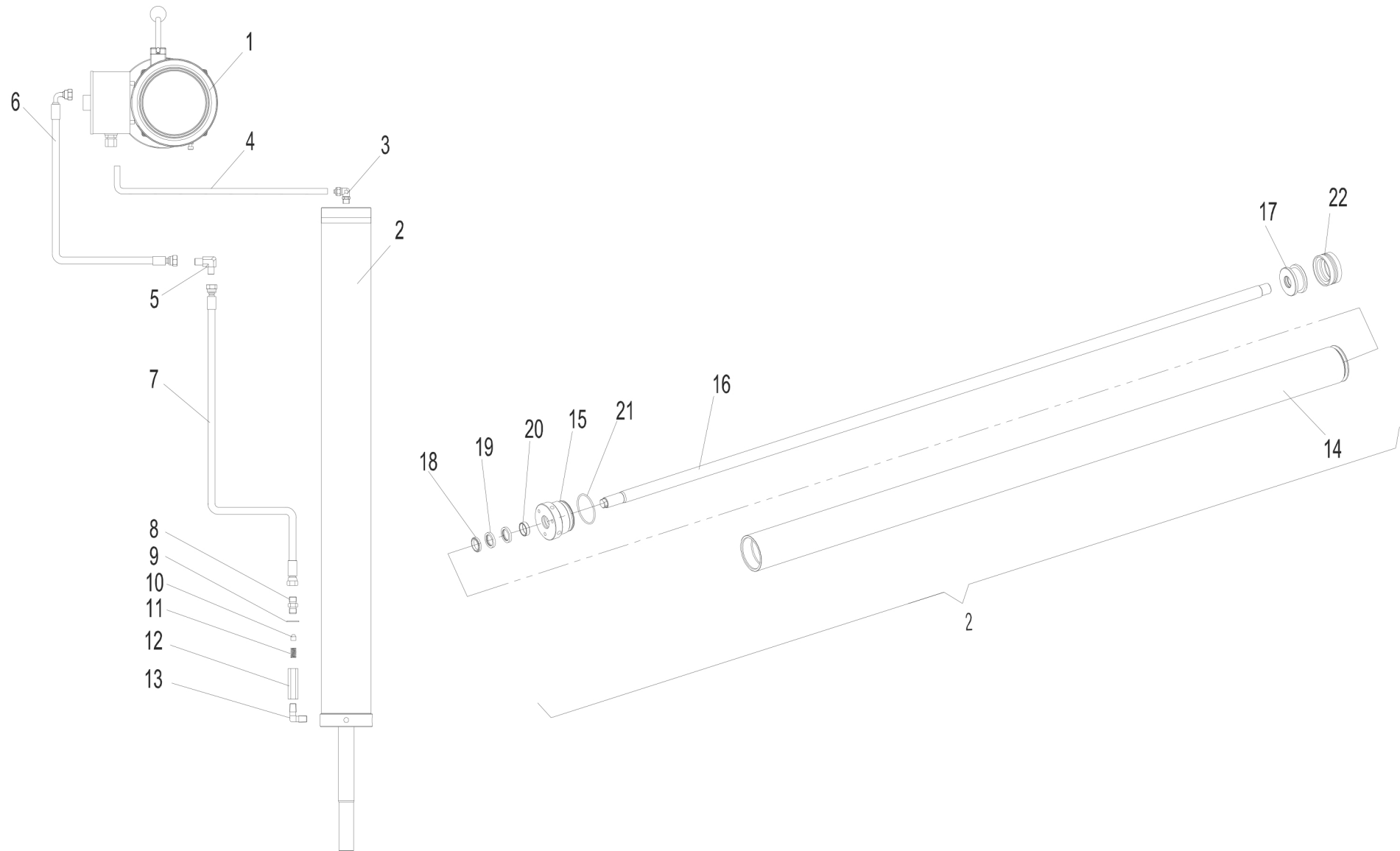


OPT.1.0	JACKING BEAM	ED. 01/19
---------	--------------	-----------

ITEM	PART NO.	DESCRIPTION	QTY	REMARK
1	0301052	Air-hydraulic pedal pump 800CC	1	
2	J07B110000	Jack base	1	
3	0211015	Seeger D.8 – GB/896	4	
4	J07B100100	Jack wheel	4	
5	0511172	Nylon bush 1010	4	
6	J07B100001	Wheel shaft	4	
7	0511173	Nylon pin	8	
8	J07B120000	Base extension	2	
9	0213109	Elastic pin 6X25 – GB/T879.1	4	
10	J07B000003	Nylon lower slider	2	
11	J07B000200	Safety lock 2	1	
12	0215017	Knob M10X33	1	
13	J07B000005	Shaft	1	
14	J07B000100	Safety lock 1	1	
15	J07B200000	Outer scissor arm	1	
16	J07B000001	Nylon upper slider 1	2	
17	J07B300000	Inner scissor arm	1	
18	J07B500000	Table extension	2	
19	J07B600000	Screw adaptor	2	
20	J07B400000	Jack table	1	
21	0606033	Rubber pad 115X100X55	2	
22	0204004	Nut M8 – GB/T889.1	2	
23	0208003	Washer D.5 – GB/T93/5	4	
24	0206041	Screw M5X12 – GB/T818	4	
25	J07B000002	Nylon upper slider 2	2	
26	0210089	Bush SF-1/2024F	2	
27	J07B000007	Cylinder upper shaft	1	

OPT.1.0	JACKING BEAM	ED. 01/19
---------	--------------	-----------

28	J07BY63000	Jack hydraulic cylinder	1
29	0209010	Screw M6X10 – GB/T78	3
30	J07B000006	Cylinder lower shaft	1
31	0206069	Screw M10X20 – GB/T70.2	2
32	J07B000008	Washer	2
33	0210086	Bush SF-1/2012F	4
34	J07B000004	Middle shaft	1
35	0205004	Washer D.5 – GB/ T97.1	4

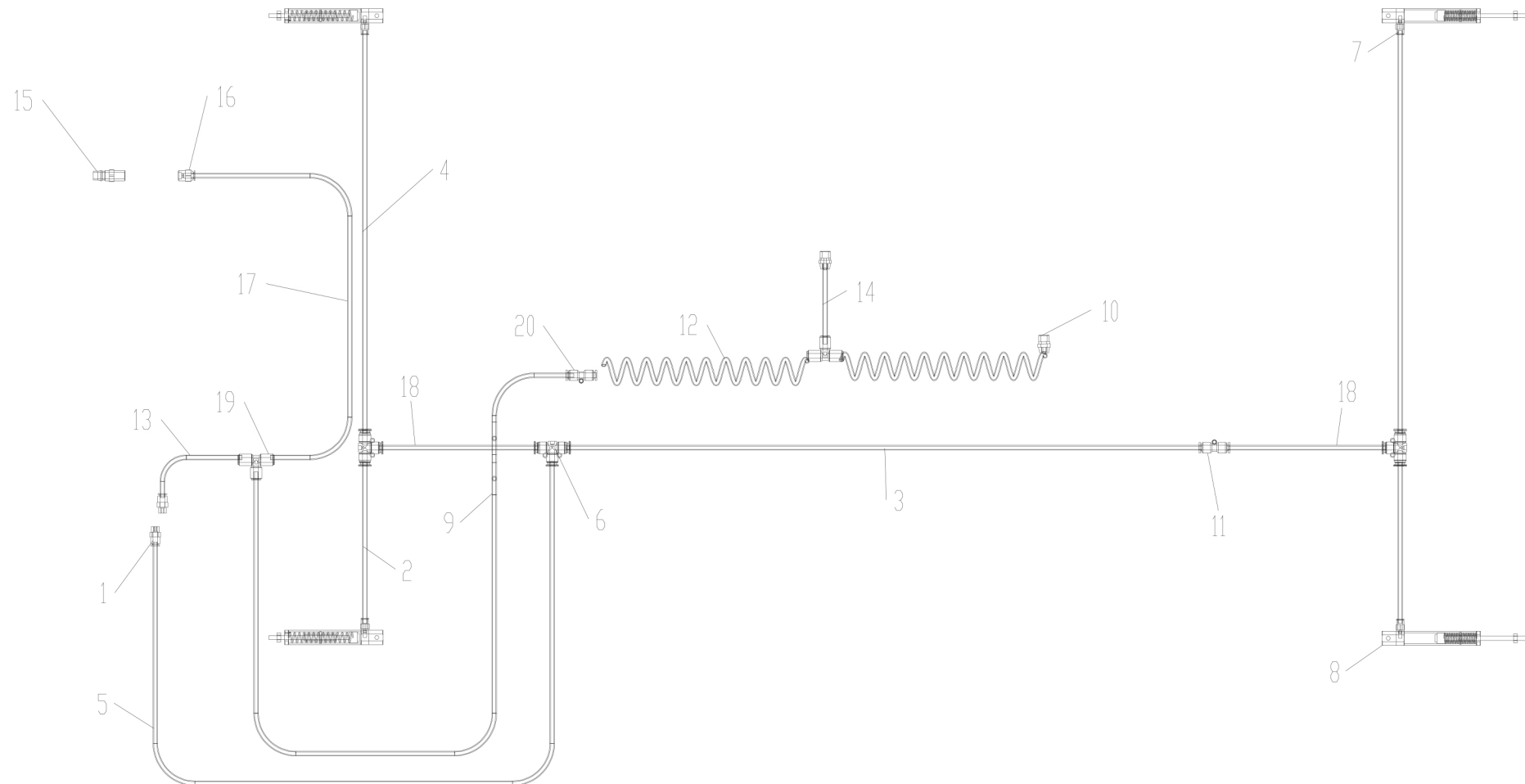


TAV.36.0	HYDRAULIC LINE	ED. 01/19
----------	----------------	-----------

ITEM	PART NO.	DESCRIPTION	QTY	REMARK
1	0302012	Hydraulic power unit	1	
2	Z72AY85000	Hydraulic cylinder	1	
3	0306065	Rotation union 8-1/4	1	
4	0306096	PU hose 8X5.5X2300	1	
5	0303010	90° union 1B9-04SP	1	
6	ZW1600	Hydraulic pipe L=1600	1	
7	ZZ2100	Hydraulic pipe L=2100	1	
8	0303065	Fitting 1/4	1	
9	0313001	Washer 1/4	1	
10	6246-Y1.8	Flow restrictor	1	
11	7530-Y-3	Spring	1	
12	7B-04-87	Union	1	
13	0303031	90° fitting 1/4	1	
14	Z72AY85100	Cylinder liner	1	
15	Z72AY85001	Cylinder guiding cover	1	
16	Z72AY85002	Piston rod	1	
17	Z72AY85003	Piston	1	
18	0311026	Scraper 32X40X5/6.5	1	
19	0310036	Seal 32X42X7.3	2	
20	0305006	Guiding ring 32X25X2.5	1	
21	0309096	O-ring 77.5X3.55	1	
22	0312017	Gasket 85X65X22.4	1	

PNEUMATIC LINE

ED. 01/19



PNEUMATIC LINE

ED. 01/19

ITEM	PART NO.	DESCRIPTION	QTY	REMARK
1	0306141	Union D.6-1/8	2	
2	0306095	Hose 6X4 L=350	2	
3	0306095	Hose 6X4 L=5500	1	
4	0306095	Hose 6X4 L=2600	2	
5	0306095	Hose 6X4 L=2500	1	
6	0306025	Tee quick union D.6	3	
7	0306294	Union D.6-M5	4	
8	0306293	Latch release cylinder	4	
9	0306095	Hose 6X4 L=3100	1	
10	0306048	Union D.6-1/4	2	
11	0306041	Quick union D.6	1	
12	0306101	Spiral hose L=5000	2	
13	0306095	Hose 6X4 L=500	1	
14	0306123	Hose 6X4 L=500	1	BLUE
15	0306112	Union 1/4	1	
16	0306043	Quick union 6-1/4	1	
17	0306095	Hose 6X4 L=2500	1	
18	0306095	Hose 6X4 L=800	2	
19	0306378	Quick tee union D.6	2	
20	0306379	Quick union D.6	1	