

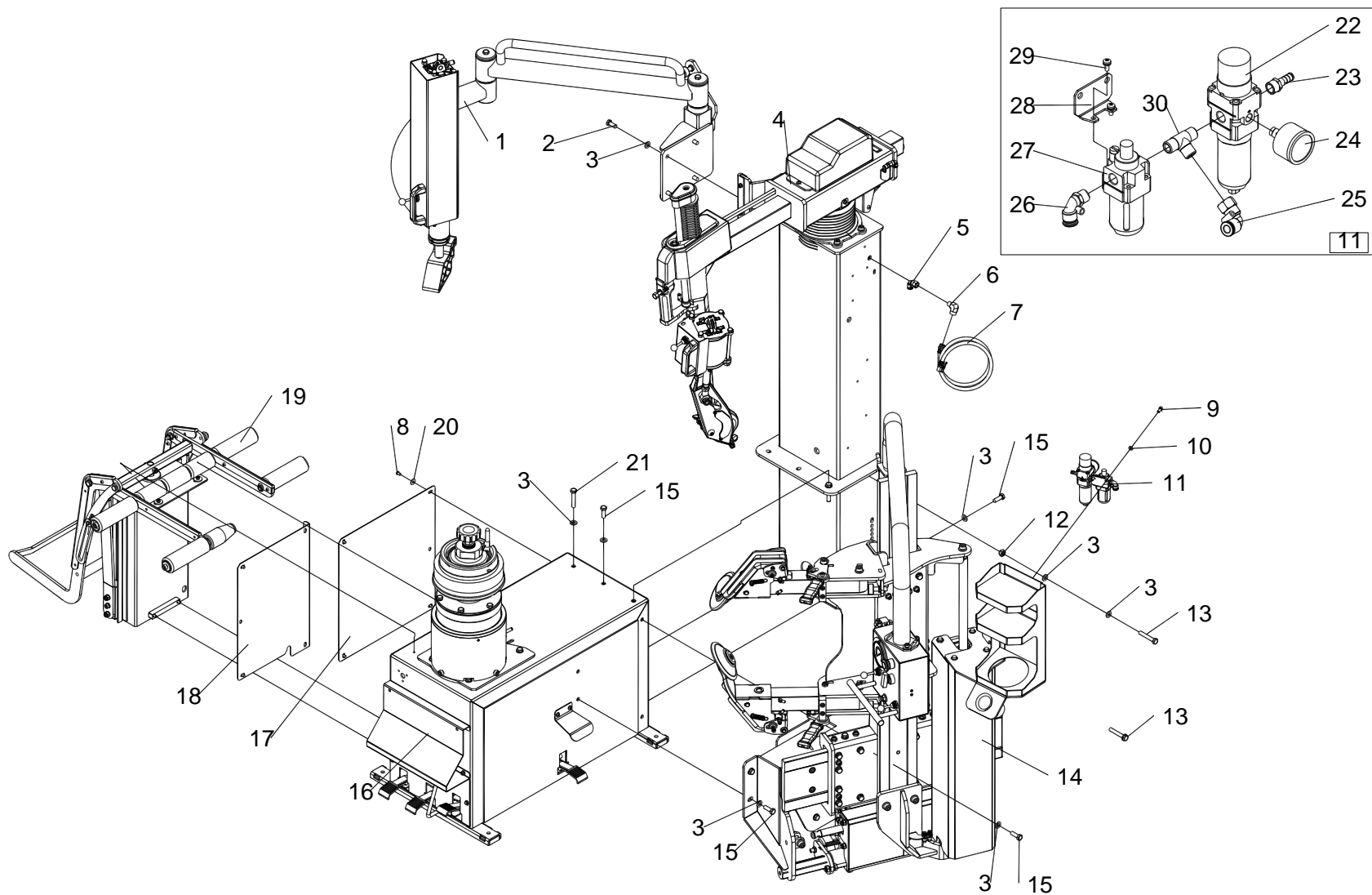


# ШИНОМОНТАЖНЫЙ СТАНОК СУПЕРАВТОМАТ КС-508А Про



КАТАЛОГ ЗАПЧАСТЕЙ

EAC

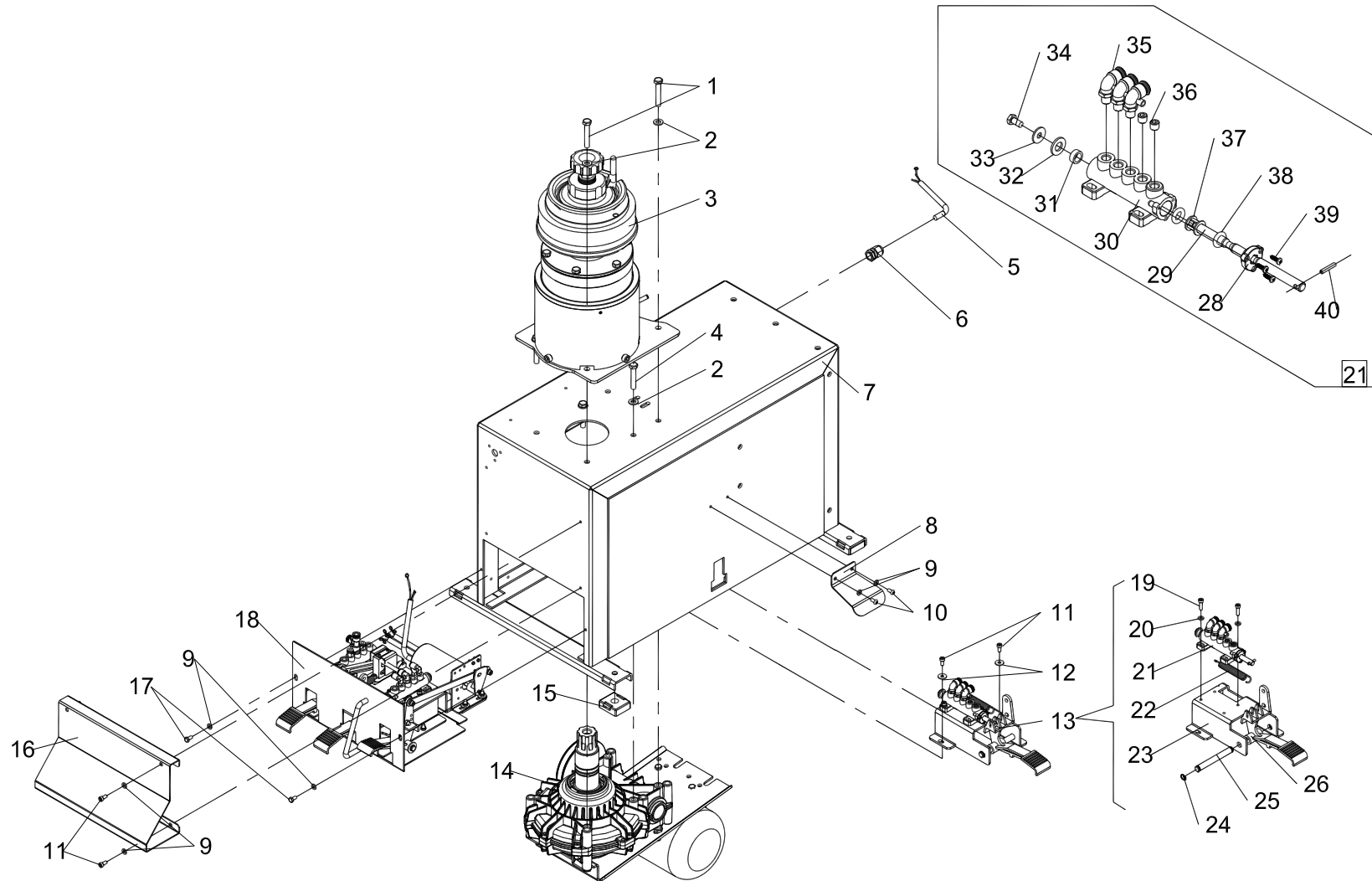


TAVO	GENERAL BREAKDOWN	ED. 03/2020
------	-------------------	-------------

ITEM	PART NO.	DESCRIPTION	QTY	SPECS	REMARK
1	27105168	Left press arm	1	C34A300000	
2	02010064	Screw GB/T5783/M10X25	4		
3	02050011	Washer GB/T97.1/10	17		
4	27105167	HORIZ. AND VERT. ARMS	1	C34A200000	
5	03060039	Quick union 8-1/4	1		
6	03030008	Union 5B9-04 G1-4	1		
7	03060334	Inflating hose	1		
8	02060050	Screw GB/T70.2/M6X10	8		
9	02020032	Screw GB/T70.1/M6X16	2		
10	02050006	Washer GB/T97.1/6	2		
11	27306011	Lubricator + filter regulator GT	1	C00AQ52000	
12	02040005	Nut GB/T889.1/M10	2		
13	02010192	Screw GB/T5782/M10X60	2		
14	27105246	Right press arm	1	C34C400000	
15	02010049	Screw GB/T5783/M10X30	7		
16	27105165	Body	1	C34A100000	
17	23155042	Side cover 1	1	C34A000001	
18	23155043	Side cover 2	1	C34A000002	
19	27105169	Wheel lifter	1	C34A600000	
20	02050007	Washer GB/T96/6	8		
21	02010055	Screw GB/T5782/M10X55	2		
22	03060278	Filter regulator AW20-F02C-2R	1		
23	03060008	Union 8-1/4	1		
24	03060347	Pressure gauge	1		
25	03060039	90° quick union 8-1/4	1		
26	03060032	90° quick union 8-1/4	1		
27	03060284	AL20-F02-CR-A lubricator	1		

TAVO	GENERAL BREAKDOWN				ED. 03/2020
------	-------------------	--	--	--	-------------

ITEM	PART NO.	DESCRIPTION	QTY	SPECS	REMARK
28	23346002	Support	1	C00AQ51001	
29	02060059	Screw M4X8	2		
30	03060077	Tee union G1/4	1		

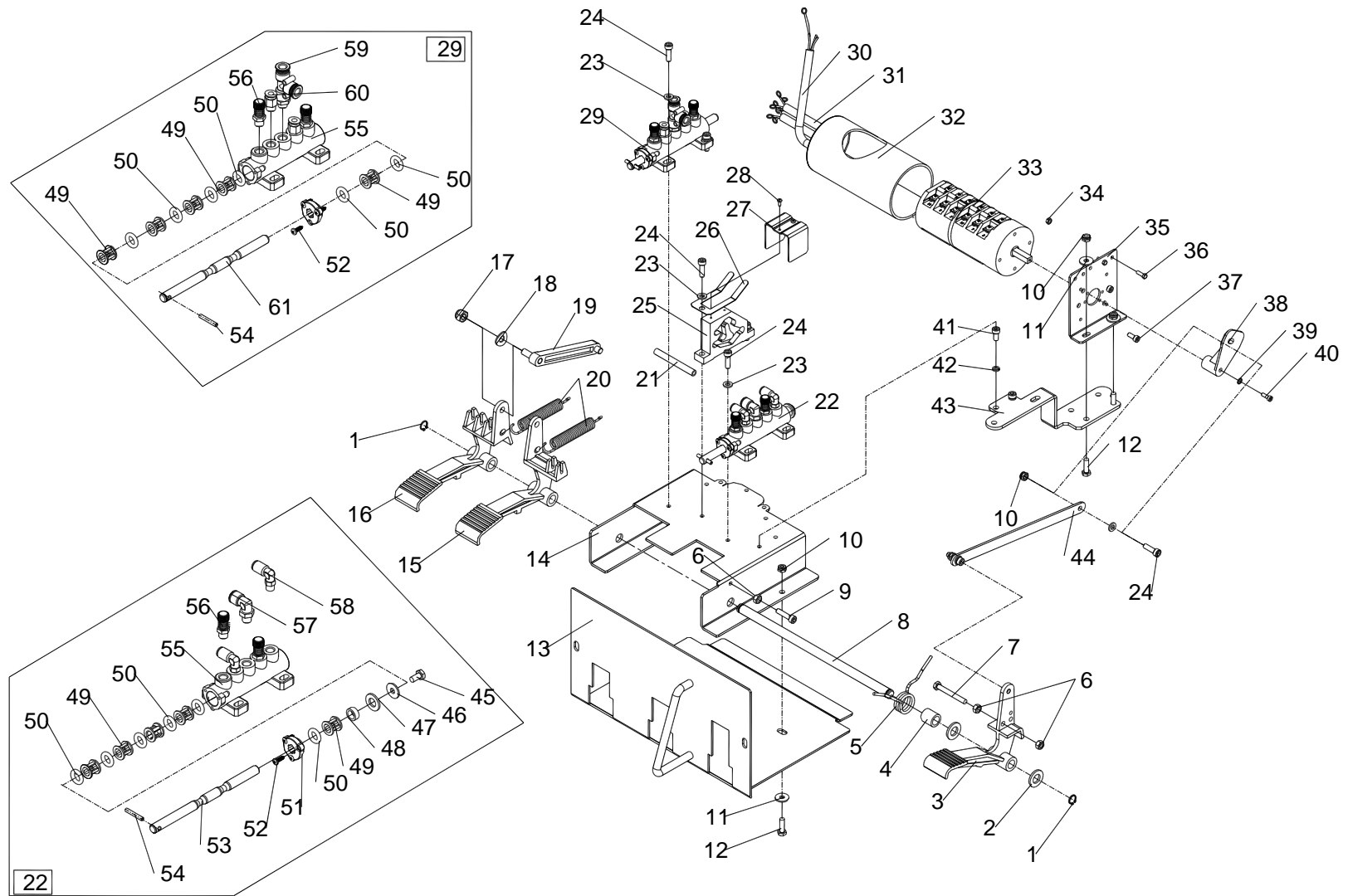


TAV1.0	BODY	ED. 03/2020
--------	------	-------------

ITEM	PART NO.	DESCRIPTION	QTY	SPECS	REMARK
1	02010192	Screw GB/T5782/M10X60	4	M10X60-8.8	
2	02050011	Washer GB/T97.1/10	6		
3	27300026	Pneumatic clamp unit	1	C34A500000	
4	02010055	Screw M10X55	2		
5	05060015	Power cable L=3500	1		
6	05080252	Cable relief M18	1		
7	26155107	Shell	1	C34A110000	
8	23155032	Pedal cover	1	C33A000004	
9	02050006	Washer GB/T97.1/6	8		
10	02060092	Screw GB/T70.2/M6X12	2		
11	02020024	Screw GB/T70.1/M6X12	6		
12	02050007	Washer GB/T96/6	2		
13	27305023	GT valve control	1	C34A100100	
14	27105164	Reduction gear unit	1	C33A600000	
15	21400002	Foot support	4		
16	23155033	Front panel	1	C33A000003	
17	02010011	Screw GB/T5783/M6X12	2		
18	27105161	Pedal box	1	C33A820000	
19	02020033	Screw GB/T70.1/M6X20	2		
20	02050006	Washer GB/T97.1/6	2		
21	27305024	GT valve unit	1	C33A811000	
22	22200002	Spring	1	YC1-3013333	
23	23335021	Valve unit support	1	C34A100101	
24	02120001	Seeger D.12	2		
25	23345006	Pin	1	C33A810002	
26	23106012	Pedal C	1	YC2-3002160	
28	21200016	Valve flange	1	YC1-3001585	

TAV1.0	BODY				ED. 03/2020
--------	------	--	--	--	-------------

ITEM	PART NO.	DESCRIPTION	QTY	SPECS	REMARK
29	23306002	Valve pin 3	1	YC1-3007598	
30	21200014	Valve body	1	YC1-3001583	
31	21900001	Nylon washer	1	YC1-4197629	
32	02050011	Washer GB/T97.1/10	1		
33	02050007	Washer GB/T96/6	1		
34	02010011	Screw GB/T5783/M6X12	1		
35	03060033	90° quick union 8-R1/8	3		
36	03050014	Plug 1/8	2		
37	21200015	Valve spacer	5	YC1-3001584	
38	21400016	O-ring 17×4	6	YC1-4299000	
39	02070032	Screw ST3.5X13	3		
40	02130084	Pin 4X20	1		





TAV1.1	PEDAL BOX			ED. 03/2020
--------	-----------	--	--	-------------

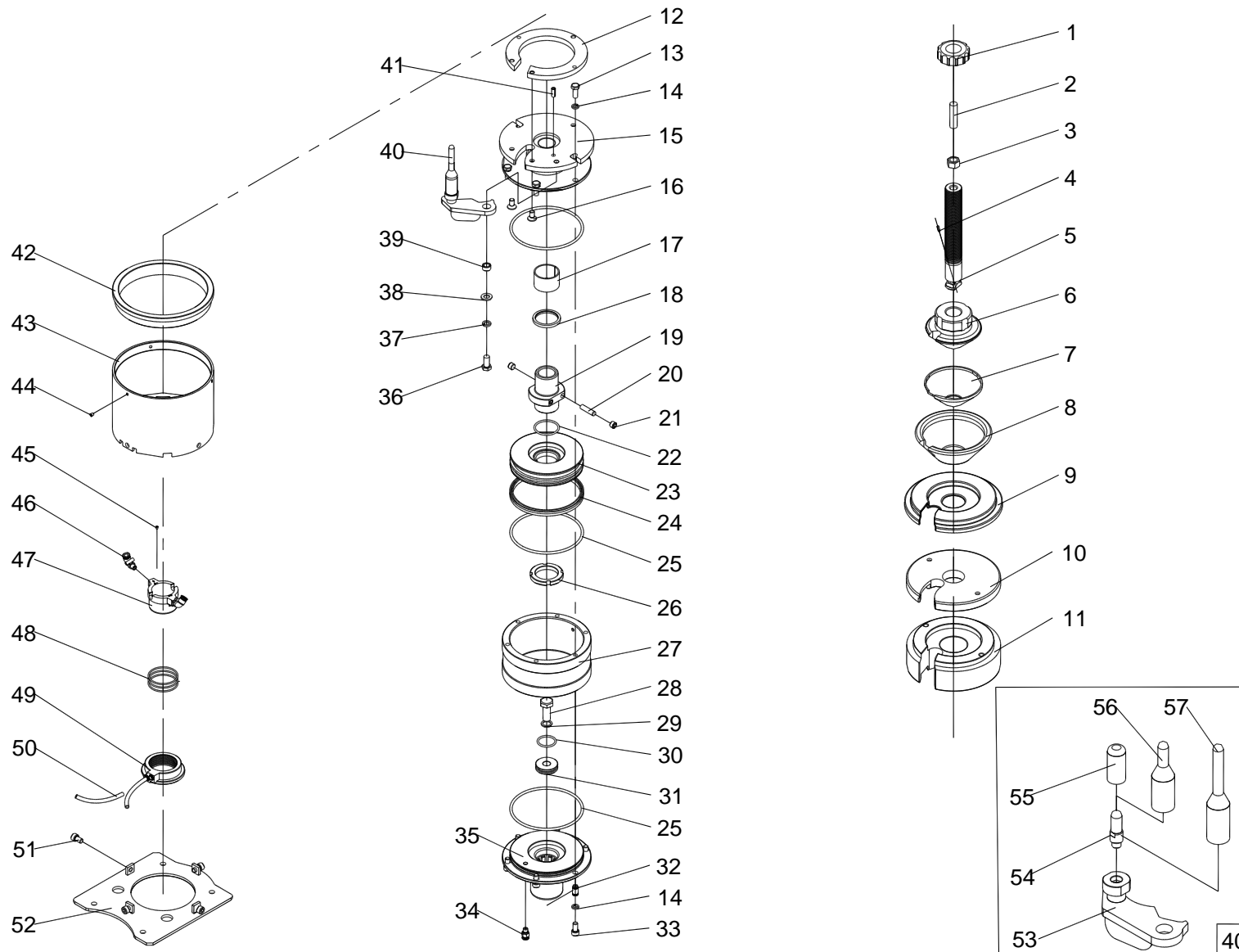
ITEM	PART NO.	DESCRIPTION	QTY	SPECS	REMARK
1	02120001	Seeger D.12	2		
2	02050013	Washer D.12	2		
3	23165001	Pedal A	1		
4	23146013	Bush	1	YC1-3007953	
5	22300001	Spring	1	C00A000001	
6	02030035	Nut M6	3		
7	02010016	Screw M6X50	1		
8	23146012	Pedal alignment pin	1	YC1-3003094	
9	02020034	Screw M6X25	1		
10	02040003	Nut M6	6		
11	02050007	Washer D.6	4		
12	02010014	Screw M6X20	4		
13	26155106	Pedal support	1	C33A820100	
14	23135107	Valve base	1	C33A821001	
15	23106009	Pedal B	1	YC1-3002159	
16	23106012	Pedal C	1	YC2-3002160	
17	02040004	Nut M8	1		
18	02080014	Washer	1		
19	21200018	Connection rod	1	YC1-4299912	
20	22200002	Pedal return spring	2	YC1-3013333	
21	03060097	Rilsan hose 8X5 L=70	1		
22	27305020	Wheel lift valve unit	1	C33A821100	
23	02050006	Washer D.6	8		
24	02020033	Screw M6X20	8		
25	21200125	Double cam	1	YC1-4299913	
26	23126008	Forked leaf spring	1	YC2-4299910	
27	23146016	Connection rod guide	1	YC1-3099910	

TAV1.1	PEDAL BOX	ED. 03/2020
--------	-----------	-------------

ITEM	PART NO.	DESCRIPTION	QTY	SPECS	REMARK
28	0207026	Screw ST2.9X9.5	2		
29	27306042	Tilting control valve unit	1	YC2-2002531	
30	05060015	Electric cable L=3500	1		
31	05060027	Motor cable L=900	2		
32	21400075	Reverser cover	1	C205010004	
33	05050078	Double speed reverser	1		
34	02030002	Nut M4	2		
35	23146011	Reverser support	1	YC1-3015340	
36	02010004	Screw M4X12	2		
37	02020016	Screw M5X12	2		
38	21203009	Reverser lever	1	C205010003	
39	02110016	Washer D.4	3		
40	02020004	Screw M4X12	1		
41	02020024	Screw M6X12	2		
42	02080005	Locking washer D.6	2		
43	23145092	Support	1	C33A820001	
44	23146014	Connection rod	1	YC1-3015341	
45	02010011	Screw M6X12	1		
46	02050007	Washer D.6	1		
47	02050011	Washer D.10	1		
48	21900001	Nylon washer	1	YC1-4197629	
49	21200015	Valve spacer	10	YC1-3001584	
50	21400016	O-ring 17X4	12	YC1-4299000	
51	21200016	Valve flange	2	YC1-3001585	
52	02070032	Self-tapping screw ST3.5X13	6		
53	23306002	Valve pin 3	1	YC1-3007598	
54	02130003	Pin 4X25	2		

TAV1.1	PEDAL BOX				ED. 03/2020
--------	-----------	--	--	--	-------------

ITEM	PART NO.	DESCRIPTION	QTY	SPECS	REMARK
55	21200014	Valve body	2	YC1-3001583	
56	03060013	Silencer outlet adjuster 1/8	4		
57	03060137	90 degree quick union 8-1/8	1		
58	03060138	Quick union 6-1/8	2		
59	03060021	Quick T union 8-1/8	1		
60	03060046	Quick union 6-1/8	2		
61	23306003	Valve pin 1	1	YC1-3002442	



TAV1.2	PNEUMATIC CLAMP UNIT	ED. 03/2020
--------	----------------------	-------------

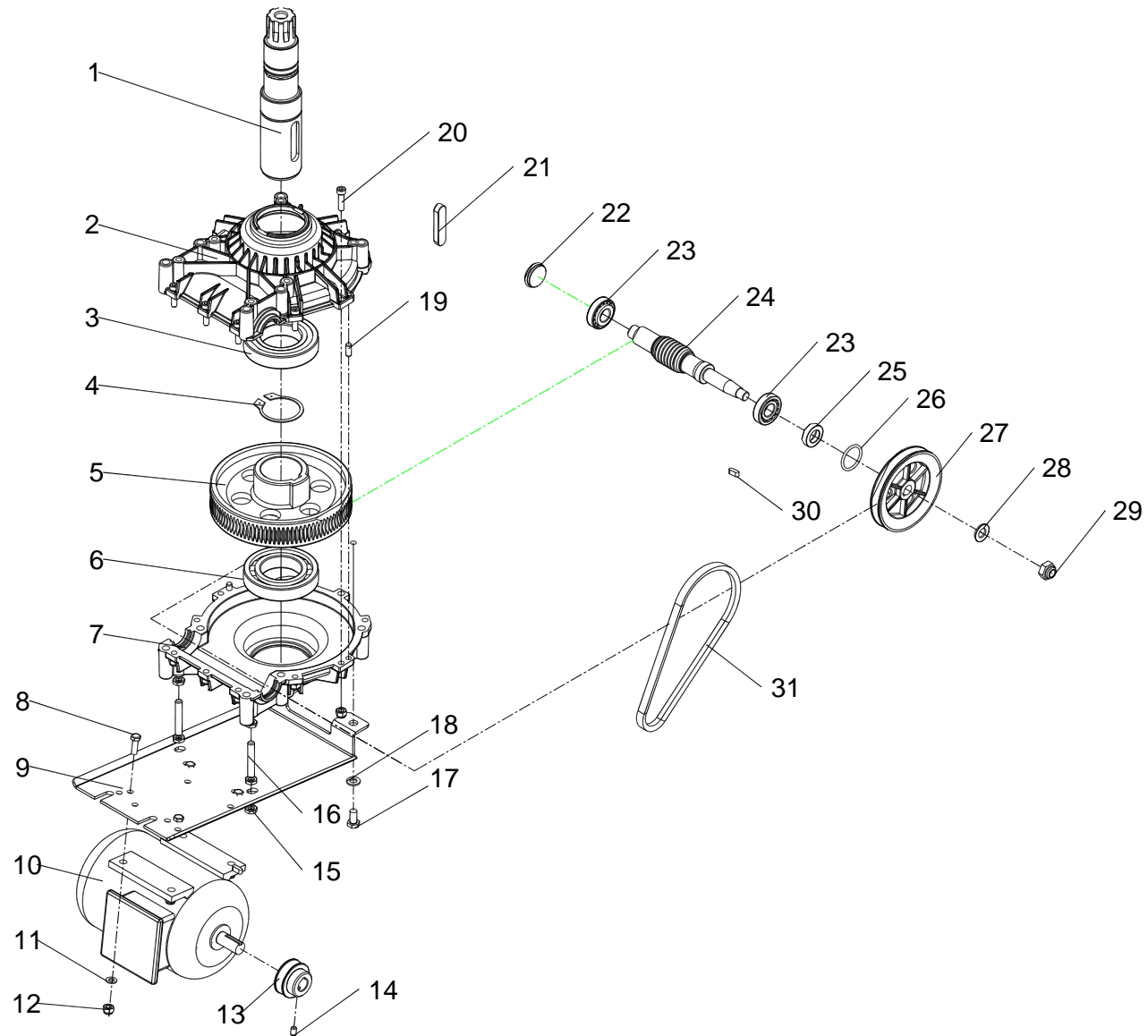
ITEM	PART NO.	DESCRIPTION	QTY	SPECS	REMARK
1	21200012	Knob	1	YC1-3000487	
2	02130047	Screw M16X60	1		
3	02030025	Nut GB/T6170/M16	1		
4	02130066	Pin 4X16	1		
5	23325006	Screw	1	C33A540001	
6	23305014	Cone	1	C33P500003	
7	21200448	Cone protection	1	C33A540003	
8	23305013	Cone	1	C33B540007	
9	21200449	Plastic adaptor	1	C34A500002	
10	21401228	Adaptor	1	C33B500002	
11	23305016	Turntable extension	1	C33P500004	
12	23345005	Turntable flange	1	C33A500001	
13	02010064	Screw GB/T5783/M10X25	6		
14	02080007	Washer GB/T93/10	12		
15	26335006	Cylinder flange	1	C33P510200	
16	02070023	Screw M10X20	3		
17	02100096	Bush SF-1/5035	1		
18	03100015	Sealing ring 50X60X6	1		
19	23335015	Shaft	1	C33P510001	
20	02130127	Pin 10X40	2		
21	03050032	Plug BD-02(G1/4)	4		
22	03090127	O-ring 48.7X3.55	1		
23	23335016	Piston	1	C33P510002	
24	03100043	Seal 160X148X12	1		
25	03090107	O-ring 150X5.3	3		
26	02040079	Nut M52X1.5	1		
27	23335014	Cylinder liner	1	C33P510003	

TAV1.2	PNEUMATIC CLAMP UNIT			ED. 03/2020
--------	----------------------	--	--	-------------

ITEM	PART NO.	DESCRIPTION	QTY	SPECS	REMARK
28	02010100	Screw GB/T5786/M16X1.5X40	1		
29	03130012	Washer 3/8	1		
30	03090002	O-ring 42X3.5	1		
31	23335017	Spacer	1	C33P510004	
32	03060281	Quick union 8-1/8-M	1		
33	02020060	Screw M10X20	6		
34	03060142	90 degree quick union 8-1/8	1		
35	26335005	Cylinder back flange	1	C33P510100	
36	02010078	Screw M12X25	1		
37	02080009	Locking washer D.12	1		
38	02050013	Washer D.12	1		
39	23325007	Bush	1	C33A500004	
40	27100258	Shifting fork	1	C33B560000	
41	02130103	Pin 8X20	1		
42	23305012	Bush	1	C33P500002	
43	23355005	Support	1	C33P500001	
44	02090030	Screw M6X8	3		
45	02090043	Screw M4X6	4		
46	03060033	90 degree quick union 8-1/8	2		
47	21200024	Inner element of rotation union	1	YC1-4298956-2	
48	03090066	O-ring 60X2.65	3		
49	27306002	Outer element of rotation union	1	YC1-2003001	
50	0306097	Rilsan hose 8X5 L=850	2		
51	02020056	Screw M10X16	4		
52	26355005	Cylinder support	1	C33P500100	
53	26140028	Support	1	C34A560100	
54	23120020	Pin	1	C34A560001	

TAV1.2	PNEUMATIC CLAMP UNIT				ED. 03/2020
--------	----------------------	--	--	--	-------------

ITEM	PART NO.	DESCRIPTION	QTY	SPECS	REMARK
55	23305015	Protective cover	1	C107000006	
56	23325009	Shaft 2	1	C33A500008	
57	23325011	Shaft 1	1	C33A500007	



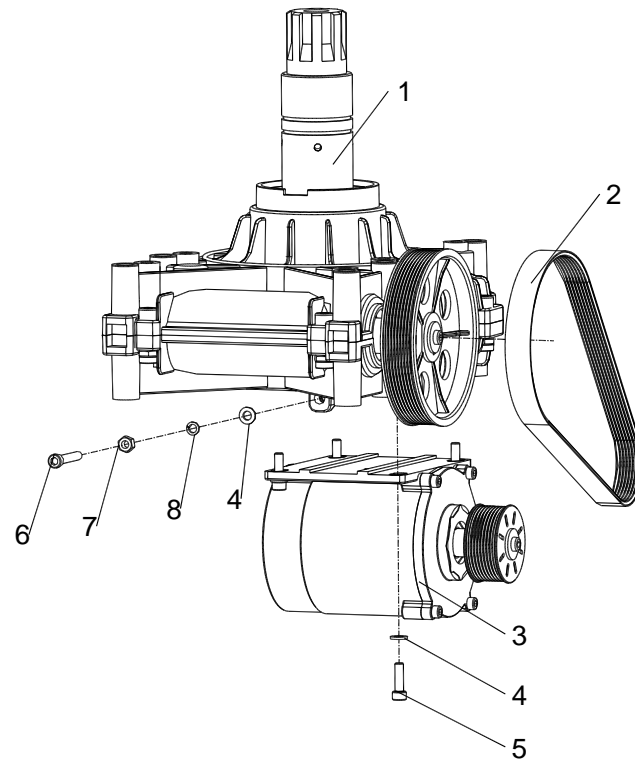


TAV1.3	REDUCTION GEAR UNIT	ED. 03/2020
--------	---------------------	-------------

ITEM	PART NO.	DESCRIPTION	QTY	SPECS	REMARK
1	23106006	Helical gear stud	1		
2	23106001	Upper gear box	1	YC1-3010872	
3	02140006	Bearing 6212-2RS	1		
4	02120010	Seeger D.60	1		
5	23106004	Helical gear	1	YC1-3015537	
6	02140005	Bearing 6212	1		
7	23106002	Bottom gear box	1	YC1-3010873	
8	02010038	Screw M8X25	4		
9	23135108	Motor support	1	C33A600001	
10	05090054	Sever motor 220V 50-60hz	1		
11	02050008	Washer D.8	4		
12	02040004	Nut M8	14		
13	23146009	Motor pulley	1	YC1-3000166	
14	02090032	Screw M8X12	1		
15	02040012	Nut M10	6		
16	02090055	Screw M10X60	2		
17	02010062	Screw M10X20	2		
18	02050011	Washer D.10	2		
19	02130011	Pin 8X20	2		
20	02020049	Screw M8X30	10		
21	02130027	Tab 16X70	1		
22	21400007	Seal cap	1	YC1-3010886	
23	02140007	Bearing 30204	2		
24	23106003	Worm	1	YC1-3010883	
25	21400006	Seal	1	YC1-4296942	
26	03090103	O-ring 34.5X3.55	1		
27	23106007	Gear box pulley	1	YC1-3199596	

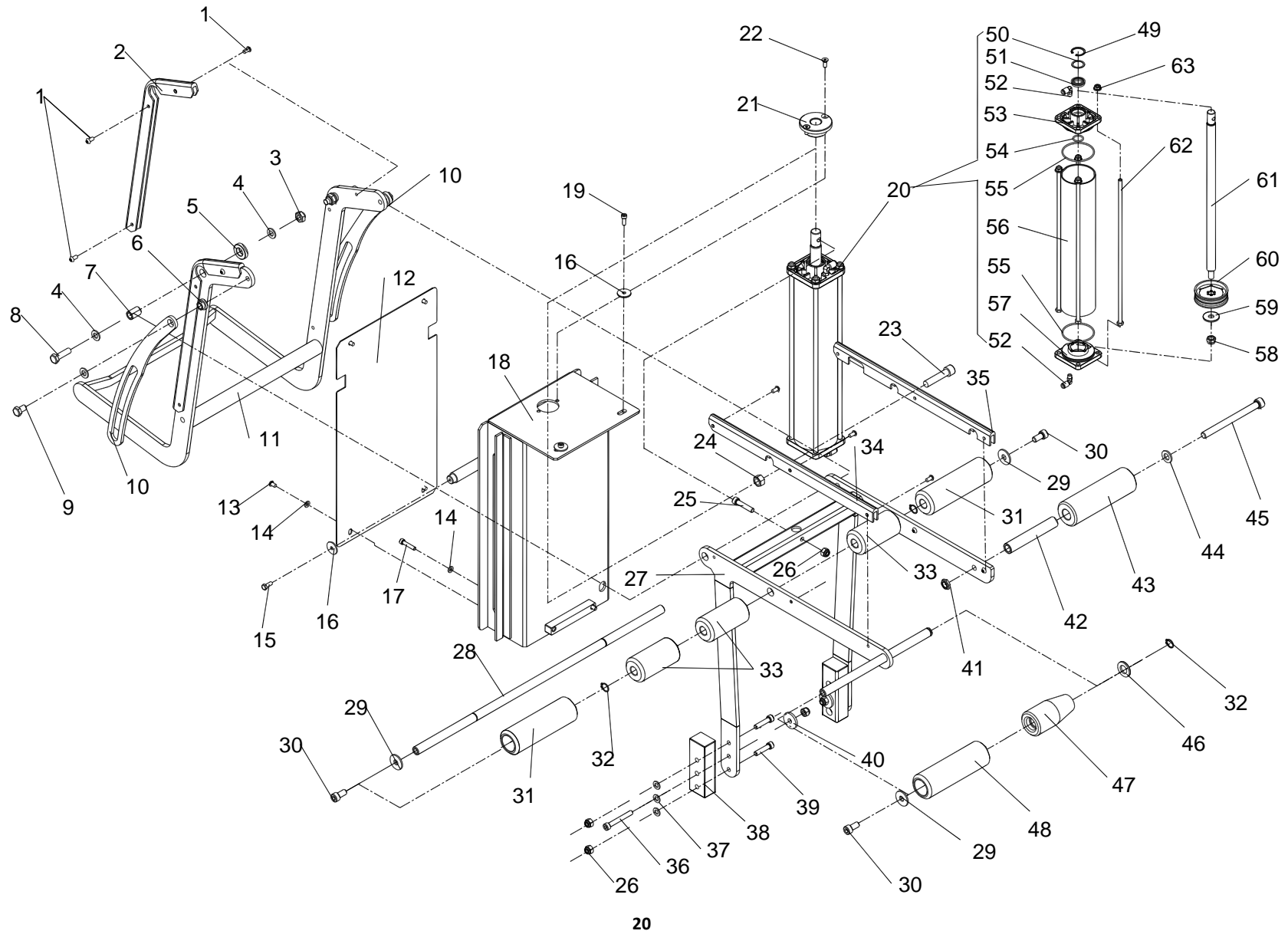
TAV1.3	REDUCTION GEAR UNIT	ED. 03/2020
--------	---------------------	-------------

28	02050017	Washer GB/T97.1/14	1
29	02040006	Nut M14	1
30	02130028	Tab 6X18	2
31	06060052	Belt A580	1



TAV1.4	Gearbox with inverter motor	ED. 04/2024
--------	-----------------------------	-------------

ITEM	PART NO.	DESCRIPTION	QTY	SPECS	REMARK
1	05090279	Gearbox	1		
2	05110450	Belt	1		
3	05090278	Sever motor	1		
4	02050006	Washer GB/T97.1/6	6		
5	02020033	Screw GB/T70.1/M6X20	4		
6	02020035	Screw GB/T70.1/M6X40	1		
7	02030035	Nut GB/T6170/M6	2		
8	02080005	Washer GB/T93/6	1		



TAV2	WHEEL LIFTER	ED. 03/2020
------	--------------	-------------

ITEM	PART NO.	DESCRIPTION	QTY	SPECS	REMARK
1	02060092	Screw M6X12	13		
2	23105055	Guide	2	C33A700013	
3	02040005	Nut M10	2		
4	02050011	Washer D.10	6		
5	23145099	Spacer	2	C33A700015	
6	23145098	Bush	2	C33A700011	
7	23145100	Bush	2	C33A700018	
8	02010050	Screw M10X35	2		
9	02010059	Screw M10X16	2		
10	23155038	Lift linkage	2	C33A700010	
11	26155118	Wheel support	1	C33A730000	
12	23155039	Side cover	1	C33A700014	
13	02060050	Screw M6X10	4		
14	02050006	Washer D.6	6		
15	02010013	Screw M6X16	2		
16	23135110	Washer D.6	4	C33A700020	
17	02020026	Screw M6X30	2		
18	26155116	Lift frame	1	C33A710000	
19	02020032	Screw M6X16	2		
20	27305031	Lift cylinder unit	1	C00AQ34000	
21	23105049	Sliding bush	1	C33A700007	
22	02070024	Screw M6X16	2		
23	02020077	Pin M12X55	1		
24	02030023	Nut M12	1		
25	02020042	Screw M8X40	1		
26	02040004	Nut M8	7		
27	26155117	Support	1	C34A600100	

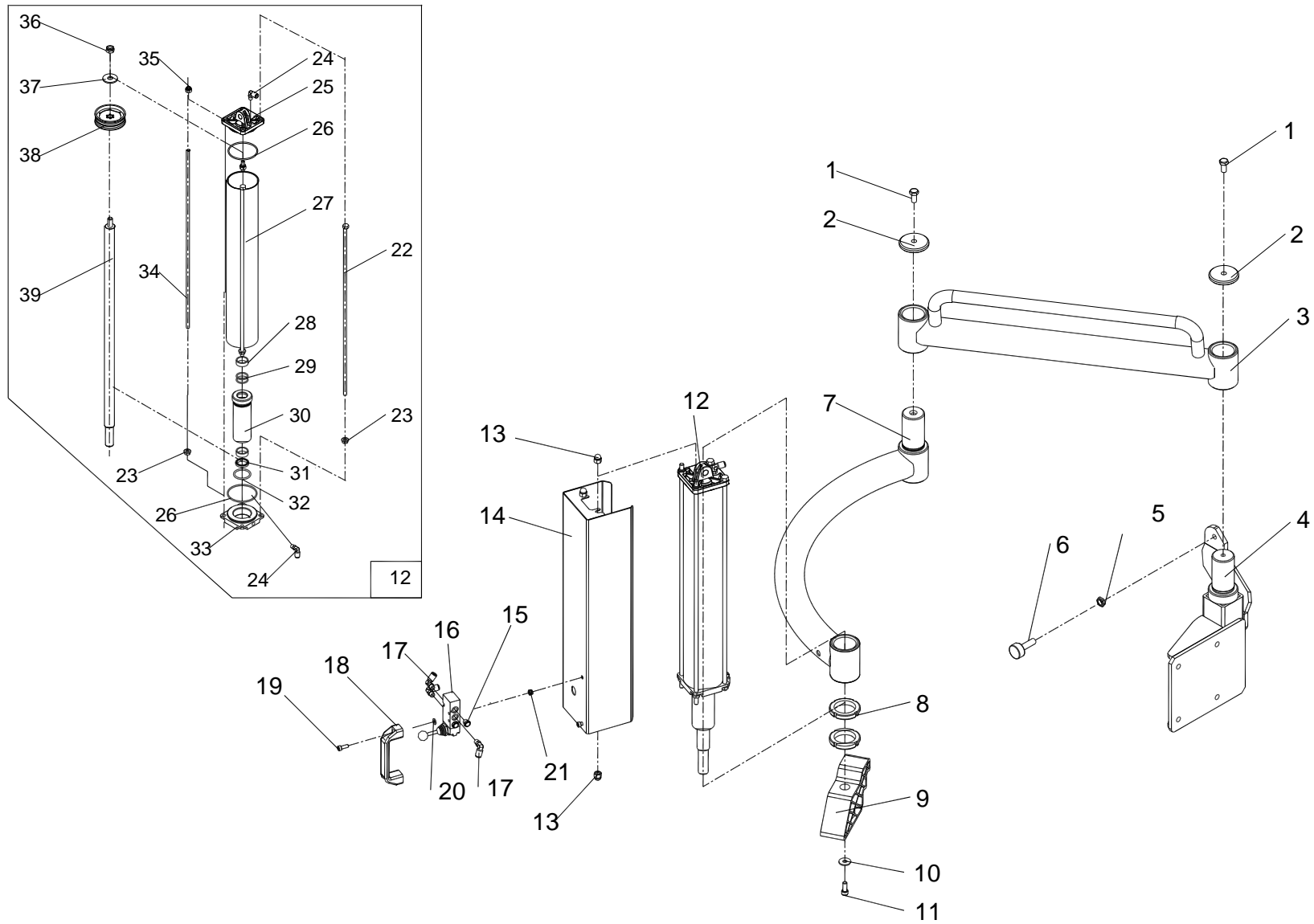
<b>TAV2</b>	<b>WHEEL LIFTER</b>	<b>ED. 03/2020</b>
-------------	---------------------	--------------------

<b>ITEM</b>	<b>PART NO.</b>	<b>DESCRIPTION</b>	<b>QTY</b>	<b>SPECS</b>	<b>REMARK</b>
28	23145096	Roller shaft 1	1	C33A700005	
29	02050010	Washer D.10	3		
30	02020060	Screw M10X20	3		
31	23105047	Roller 2	2	C33A700002	
32	02120002	Seeger D.16	3		
33	23105046	Roller 1	3	C33A700001	
34	23105054	Right guide	1	C33A700019	
35	23105052	Left guide	1	C33A700017	
36	02020050	Screw M8X60	2		
37	02050008	Washer D.8	6		
38	23105051	Slider	2	C33A700012	
39	02020041	Screw M8X35	4		
40	23136016	Washer	2	YC2-4399947	
41	02040016	Nut M12	1		
42	23145097	Bush	1	C33A700009	
43	23105048	Roller 3	1	C33A700003	
44	02050013	Washer D.12	1		
45	02020089	Screw M12X140	1		
46	02050020	Washer D.16	1		
47	23105050	Roller	1	C34A600001	
48	23105045	Roller 4	1	C34A600002	
49	02110004	Seeger D.30	1		
50	23346001	Washer	1	YC1-4398146	
51	21400013	Seal 20X30X7	1		
52	03060138	90 degree quick union 6-1/8	2		
53	23306005	Front flange	1	YC1-3015024A	
54	21400012	O-ring 20X2.75	1		

TAV2	WHEEL LIFTER				ED. 03/2020
------	--------------	--	--	--	-------------

ITEM	PART NO.	DESCRIPTION	QTY	SPECS	REMARK
55	21400018	O-ring 75x3,55	2		
56	23365007	Cylinder liner	1	C00AQ34001	
57	27306036	Back flange	1	YC1-3015023A	
58	02040007	Nut M12	1		
59	02050014	Washer D.12	1		
60	21400019	Piston	1	YC1-4198856	
61	23335024	Cylinder shaft	1	C00AQ34003	
62	23335025	Stud	4	C00AQ34002	
63	02040025	Nut M8	4		



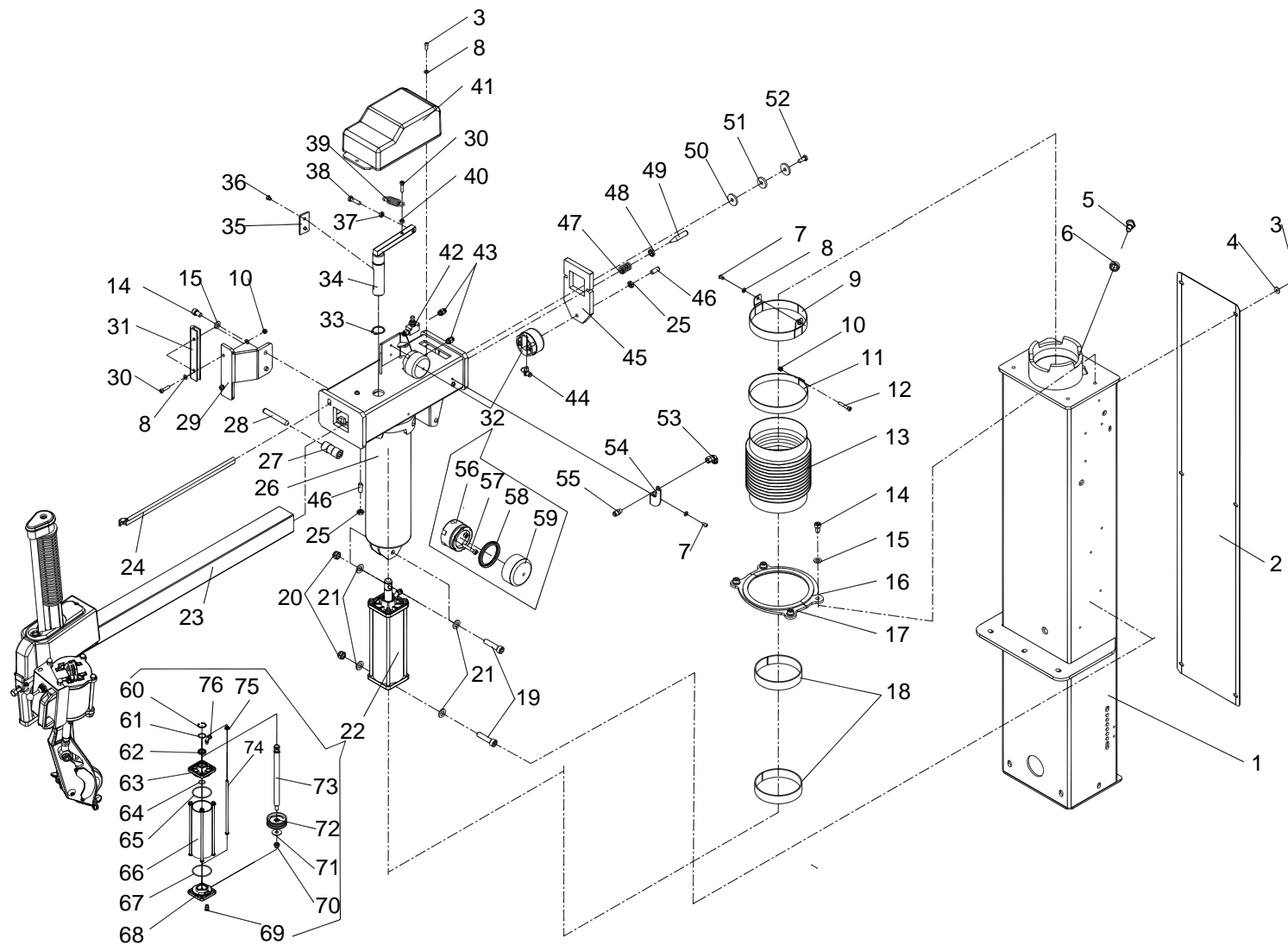


TAV3	LEFT PRESS ARM	ED. 03/2020
------	----------------	-------------

ITEM	PART NO.	DESCRIPTION	QTY	SPECS	REMARK
1	02010062	Screw M10X20	2		
2	23146056	Seeger	2	HP-3018522	
3	26155120	Arm	1	C34A320000	
4	26155119	Arm support	1	C34A310000	
5	02040016	Nut M12	1		
6	21400068	Limit pin	1	C22A030001	
7	26155121	Arm	1	C34A330000	
8	02040046	Nut M45X1.5	2		
9	21200167	Bead press tool	1	YCP-3008404	
10	02050009	Washer D.8	1		
11	02020045	Screw M8X20	1		
12	27305030	Press arm cylinder unit	1	C060005000A	
13	02040056	Nut M8	4		
14	26155122	Cover	1	C34A340000	
15	03060087	Silencer 1/8	2		
16	03060254	Control valve 1/8	1		
17	03060138	90 degree quick union 6-1/8	3		
18	21200166	Handle	1	YCH-4297851	
19	02020032	Screw M6X16	2		
20	02050006	Washer D.6	2		
21	02040003	Nut M6	2		
22	02010036	Screw M8X517	2		
23	02040025	Nut M8	4		
24	03060138	90 degree quick union 6-1/8	2		
25	27306036	Back flange	1	YC1-3015023A	
26	21400018	O-ring 75x3,55	2		
27	23366009	Cylinder liner	1	YCH-3008833	

<b>TAV3</b>	<b>LEFT PRESS ARM</b>			<b>ED. 03/2020</b>
-------------	-----------------------	--	--	--------------------

<b>ITEM</b>	<b>PART NO.</b>	<b>DESCRIPTION</b>	<b>QTY</b>	<b>SPECS</b>	<b>REMARK</b>
28	03050007	Guiding ring 25X10X2.5	2		
29	21401224	O-ring 25X2.65	2		
30	23335011	Guiding bush	1	C060005102	
31	03110001	Scraper 25X33X4.5/6	1		
32	03090029	O-ring 44X3.5	1		
33	23305010	Cylinder back flange	1	C060005101	
34	23135070	Screw	2	C00AQ380002	
35	02040004	Nut M8	2		
36	02040007	Nut M12	1		
37	02050014	Washer D.12	1		
38	21400019	Piston	1	YC1-4198856	
39	23335031	Cylinder shaft	1	C060005003A	



TAV4	HORIZ. AND VERT. ARMS	ED. 03/2020
------	-----------------------	-------------

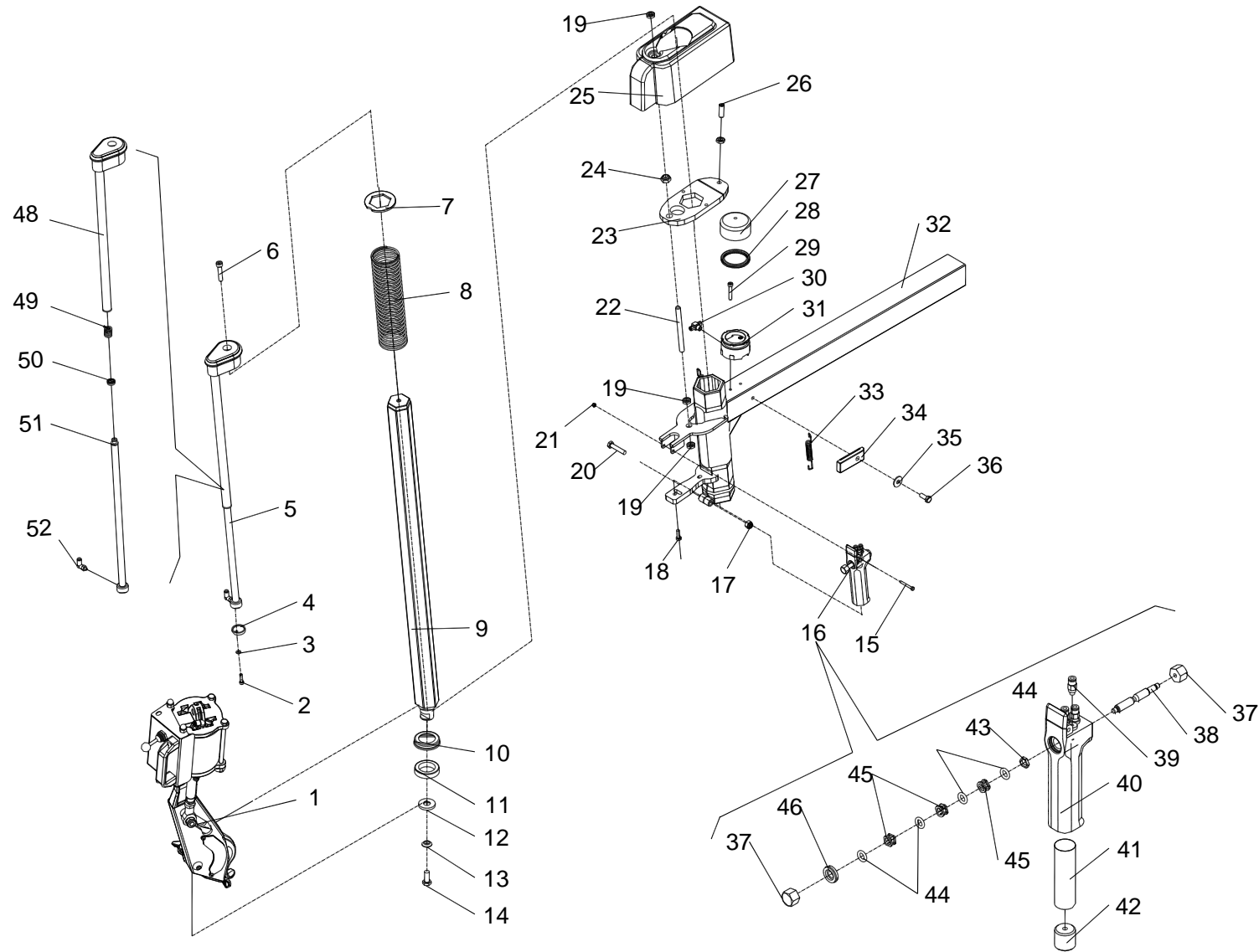
ITEM	PART NO.	DESCRIPTION	QTY	SPECS	REMARK
1	26155109	Vertical post	1	C34A210000	
2	23155037	Cover	1	C34A200007	
3	02060048	Screw M6X16	8		
4	02050007	Washer D.6	6		
5	23125069	Shaft	1	C34A200004	
6	23125070	Bush	1	C34A200005	
7	02060050	Screw M6X10	4		
8	02050006	Washer D.6	10		
9	23155034	Holder	1	C34A200006	
10	02040003	Nut M6	3		
11	26155113	Upper hoop	1	C34A200100	
12	02020027	Screw M6X35	1		
13	21900054	Cover	1	C34A200008	
14	02020056	Screw M10X16	6		
15	02050011	Washer D.10	6		
16	26155112	Back hoop	1	C34A250000	
17	26155111	Front hoop	1	C34A240000	
18	03050006	Scraper $\Phi$ 123X25X2.5	2		
19	02020072	Screw M12X50 -GB/T70.1	2		
20	02040007	Nut M12	2		
21	02050013	Washer D.12	4		
22	27305028	Cylinder unit	1	C00BQ39000	
23	27105168	Horizontal arm	1	C33A202000	
24	21200128	Guide	1	C33A200003	
25	02040012	Nut M10 - GB/T6172	3		
26	26155110	Rotation post	1	C34A220000	
27	23126012	Roller	1	C33A200009	

<b>TAV4</b>	<b>HORIZ. AND VERT. ARMS</b>	<b>ED. 03/2020</b>
-------------	------------------------------	--------------------

<b>ITEM</b>	<b>PART NO.</b>	<b>DESCRIPTION</b>	<b>QTY</b>	<b>SPECS</b>	<b>REMARK</b>
28	23115006	Pin 12X80	1	C33A200005	
29	23155035	Limit stop plate	1	C34A200003	
30	02020034	Screw M6X25	3		
31	23105043	Nylon plate	1	C34A200009	
32	27306037	Locking cylinder unit	2	YC2-2099665	
33	02120021	Seeger D.30	1		
34	26145025	Shaft	1	C34A230000	
35	23105044	Protective plate	1	C34A200011	
36	02070071	Screw M6X10	2		
37	02040031	Nut M8	1		
38	02010031	Screw M8X30	1		
39	22200037	Spring	1	C34A200010	
40	02030035	Nut M6	1		
41	21100061	Cover	1	C34A200001	
42	03070090	Adjustable valve RFO-382-1/8	1		
43	03060117	Quick union D.4 1/8	3		
44	03060029	Quick tee union D.4-1/8	1		
45	23145095	Arm locking plate	1	C33A200002	
46	02090024	Screw M10X25	3		
47	22100023	Spring	2	YC3-3005408	
48	02040016	Nut M12	2		
49	23146038	Adjustment screw	2	YC2-3015677	
50	23136016	Washer	2	YC2-4399947	
51	21400067	Washer	1	YC2-3000181	
52	02010042	Screw M8X20	1		
53	03060038	90 degree quick union 6-1/8 female	1		
54	23135109	Support	1	C33A200008	

<b>TAV4</b>	<b>HORIZ. AND VERT. ARMS</b>	<b>ED. 03/2020</b>
-------------	------------------------------	--------------------

<b>ITEM</b>	<b>PART NO.</b>	<b>DESCRIPTION</b>	<b>QTY</b>	<b>SPECS</b>	<b>REMARK</b>
55	03060141	Quick rotation union 6-1/8	1		
56	21200116	Piston	1	YC2-4299523	
57	23306020	Locking cylinder liner	1	YC2-4299524	
58	21400066	Seal	1	YC2-4299522	
59	02020027	Screw M6X35	2		
60	02110004	Seeger D.30	1		
61	23346001	Washer	1	YC1-4398146	
62	21400013	Scraper 20X30X7	1		
63	23306005	Front flange	1	YC1-3015024A	
64	21400012	O-ring 20X2.75	1		
65	21400018	O-ring 75x3,55	1		
66	23365006	Cylinder liner $\Phi$ 75X220	1	C00BQ39002	
67	21400018	O-ring 75x3,55	1		
68	27306036	Back flange	1	YC1-3015023A	
69	03060046	Quick union 6-1/8	1		
70	02040007	Nut M12	1		
71	02050014	Washer D.12	1		
72	21400019	Piston	1	YC1-4198856	
73	23335022	Cylinder shaft $\Phi$ 20X305 05	1	C00BQ39001	
74	23336002	Screw M8X248	4	C00AQ10002	
75	02040025	Nut M8 - GB/T6177.1	4		
76	03060036	90 degree quick union 6-1/8	1		



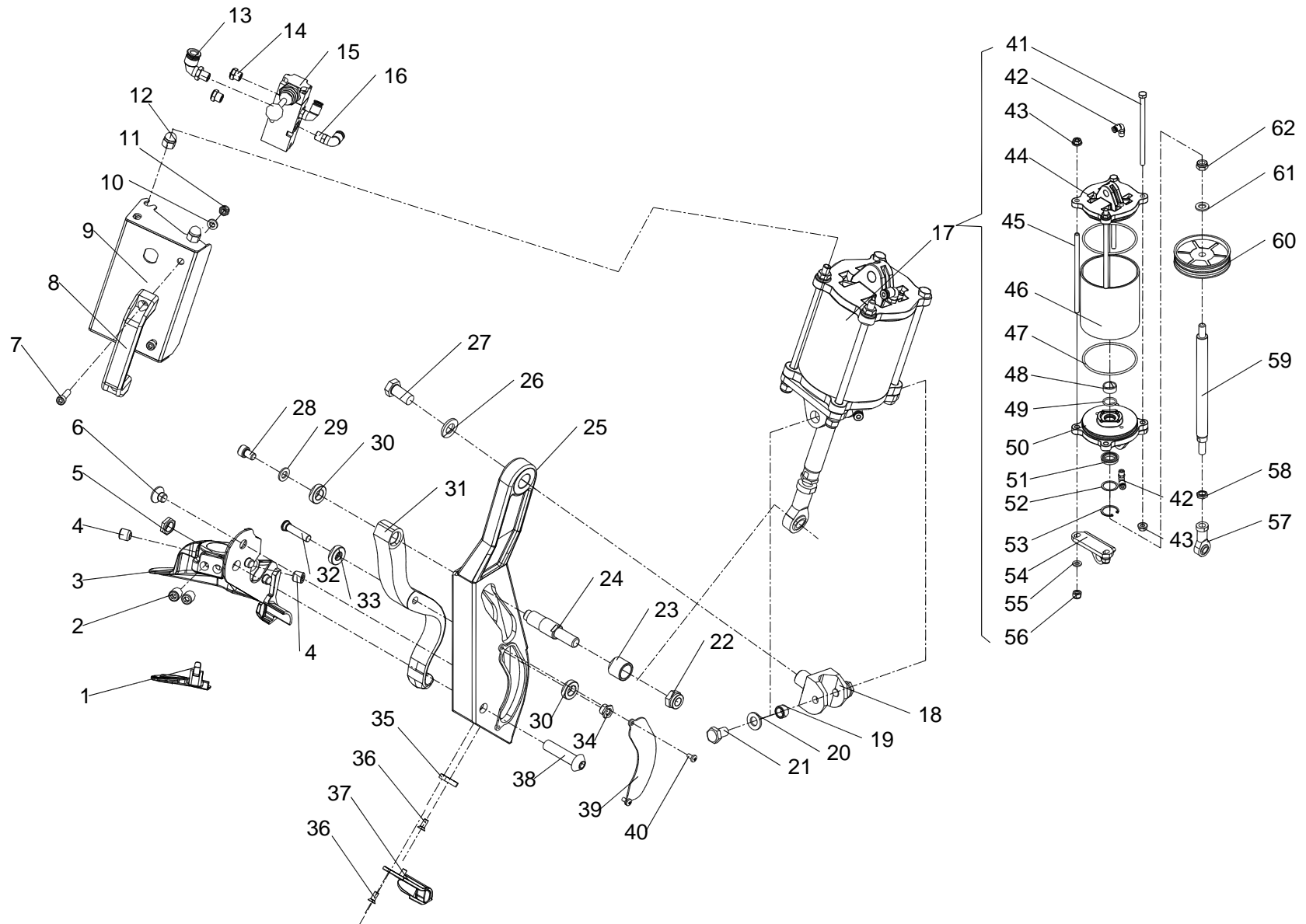


TAV4.1	HORIZONTAL ARM	ED. 03/2020
--------	----------------	-------------

ITEM	PART NO.	DESCRIPTION	QTY	SPECS	REMARK
1	27105127	Leverless mounting tool	1	C01E710000	
2	02020021	Screw M5X20	1		
3	02050004	Washer D.5	1		
4	21400073	Rubber pad	1	YC2-4397032	
5	27305025	Cylinder liner unit	1	C00AQ33000	
6	02020042	Screw M8X40	1		
7	23135066	Elastic washer	1	C33A200006	
8	22100060	Spring	1	C33A202002	
9	23125068	Hexagonal arm	1	C33A202001	
10	23135028	Protection	1	C203000006	
11	21400100	Shock absorber	1	C203000005	
12	23126005	Conical washer	1	YC1-4295804	
13	23126004	Spherical washer	1	YC1-4295805	
14	02010064	Screw M10X25	1		
15	02010003	Screw M4X35	1		
16	27306050	Arm control valve	1	YC2-2008335-S	
17	02040004	Nut M8	1		
18	02010014	Screw M6X20	1		
19	02040012	Nut M10	4		
20	02010037	Screw M8X45	1		
21	02040001	Nut M4	1		
22	23146006	Screw M10X135	1	YC2-3012459	
23	23145094	Arm locking plate	1	C33A200010	
24	02040005	Nut M10	1		
25	21200025	Arm frame	1	YC2-3015860	
26	02090022	Screw M10X30	1		
27	23306020	Locking cylinder liner	1	YC2-4299524	

TAV4.1	HORIZONTAL ARM	ED. 03/2020
--------	----------------	-------------

ITEM	PART NO.	DESCRIPTION	QTY	SPECS	REMARK
28	21400066	Seal	1	YC2-4299522	
29	02020027	Screw M6X35	2		
30	03060063	Tee rotation union 4-1/8	1		
31	21200116	Piston	1	YC2-4299523	
32	26155108	Horizontal arm	1	C33A202100	
33	22200018	Spring	2	YC2-3002273	
34	21200117	Limit block	1	YC2-3007935	
35	02050009	Washer D.8 - GB/T96	1		
36	02010042	Screw M8X20	1		
37	23306022	Aluminum nut	2	YC2-3012721	
38	23306021	Valve pin	1	YC2-3007644	
39	03060151	Quick union 4-M5	3		
40	21200119	Valve body	1	YC2-3012487	
41	6900194	Fabric insert	1		
42	23346003	Bottom cap	1	YC2-3013355	
43	21200122	Locking ring	1	YC2-3007646	
44	03090075	O-ring 7.5X2.65	4		
45	21200121	Spacer	3	YC2-3007647	
46	21200120	Cap	1	YC2-3007645	
47	02090014	Screw M5X8	1		
48	27305026	Cylinder liner unit	1	C00AQ33100	
49	22100024	Spring	1	YC2-3002629	
50	21400072	Seal	1	YC2-4298812	
51	27305027	Plunger	1	C00AQ33200	
52	03060166	90 degree quick union 4-M5	1		



TAV4.1.1	LEVERLESS MOUNTING TOOL	ED. 03/2020
----------	-------------------------	-------------

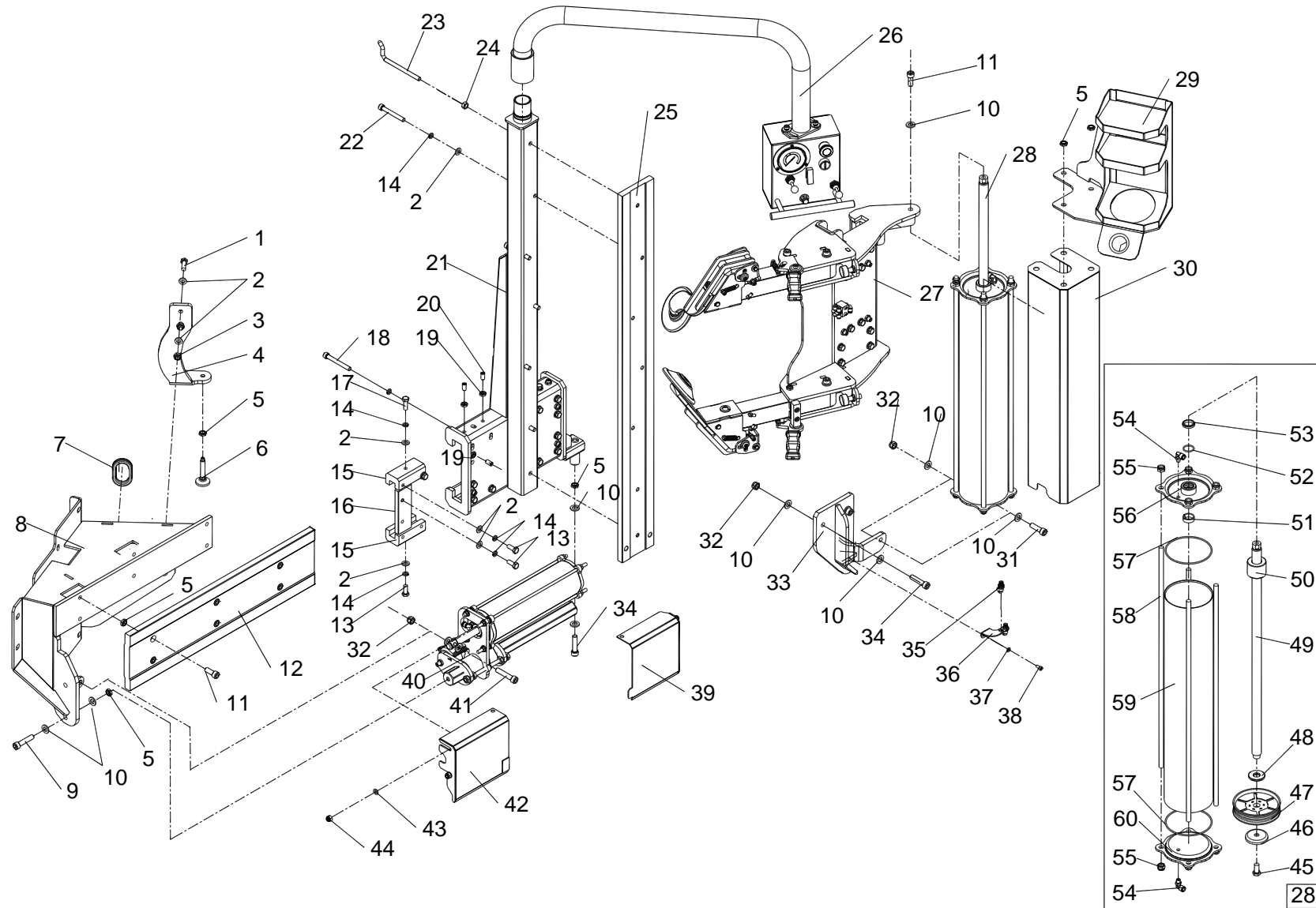
ITEM	PART NO.	DESCRIPTION	QTY	SPECS	REMARK
1	21200433	Rim protection 1	1	C01C700011	
2	02090015	Screw M12X16	2		
3	23125026	Mounting tool	1	C01C700001	
4	02090020	Screw M12X12	2		
5	02040016	Nut M12	1		
6	02070066	Screw M10X12	3		
7	02020033	Screw M6X20	2		
8	21200166	Handle	1	YCH-4297851	
9	26355001	Tool cover	1	C01E700300	
10	02050006	Washer D.6	2		
11	02040003	Nut M6	2		
12	02040056	Nut M8	2		
13	03060277	Quick union $\Phi$ 8-1/8	1		
14	03060087	Silencer 1/8	2		
15	03060254	Control valve 1/8	1		
16	03060035	90 degree quick union 4-1/8	2		
17	27305005	Mounting hook cylinder unit	1	C00BQ35000	
18	23125030	Hinge	1	C01C700010	
19	23125029	Bush	2	C01C700008	
20	02050011	Washer D.10	2		
21	02010059	Screw M10X16	2		
22	02040007	Nut M12	1		
23	23125031	Roller	1	C01C700002	
24	23125028	Thread shaft	1	C01C700004	
25	23125025	Hook guiding frame	1	C01C700100	
26	02050013	Washer D.12	1		
27	02010078	Screw M12X25	1		

TAV4.1.1	LEVERLESS MOUNTING TOOL			ED. 03/2020
----------	-------------------------	--	--	-------------

28	02020043	Screw GB/T70.1/M8X12	1	
29	02050008	Washer GB/T97.1/8	1	
30	23125033	Outer bush	2	C01C700015
31	23125027	Mounting hook	1	C01C700003
32	23145065	Screw M8X38	1	
33	23125032	Roller	1	C01C700007
34	23125034	Inner bush	1	C01C700014
35	23145066	Nut	1	C01C700017
36	02070062	Screw M5X12	3	
37	21200432	Rim protection 2	1	C01C700006
38	02060091	Screw M12X50	1	
39	23155026	Cover	1	C01C700018
40	02060023	Screw M4X8	2	
41	23335006	Stud	2	C00BQ35004
42	03060035	90 degree quick union 4-1/8	2	
43	02040025	Nut M8	4	
44	23305006	Cylinder back flange	1	C00BQ35001
45	23335005	Screw	2	C00BQ35005
46	23365002	Cylinder liner	1	C00BQ35006
47	03090105	O-ring 92.5X3.55	2	
48	03050041	Guiding ring 67X9.5X2	1	
49	21400012	O-ring 20X2.75	1	
50	23305007	Cylinder flange	1	C00BQ35002
51	21400013	Seal 20X30X7	1	
52	23346001	Washer	1	YC1-4398146
53	02110004	Seeger D.30 - GB/T893.1	1	
54	23335007	Cylinder support	2	C01E700009
55	02050008	Washer GB/T97.1/8	2	

TAV4.1.1	LEVERLESS MOUNTING TOOL			ED. 03/2020
----------	-------------------------	--	--	-------------

56	02040004	Nut GB/T889.1/M8	2	
57	02140044	Knuckle bearing	1	
58	02040016	Nut M12	1	
59	23325002	Cylinder shaft	1	C00BQ35003
60	06060155	Piston	1	
61	02050013	Washer D.12	1	
62	02040007	Nut M12	1	



TAV5	RIGHT PRESS ARM	ED. 03/2020
------	-----------------	-------------

ITEM	PART NO.	DESCRIPTION	QTY	SPECS	REMARK
1	02010050	Screw M10X35	2		
2	02050011	Washer D.10	25		
3	02040005	Nut M10	2		
4	23155041	Support	1	C34A410002	
5	02040016	Nut M12	13		
6	02150063	Hinge foot	1		
7	21400071	Cable relief D.61X5.5	1		
8	26155156	Frame	1	C34C411000	
9	02020077	Screw M12X55	1		
10	02050013	Washer D.12	13		
11	02020090	Screw M12X30	7		
12	23135111	Guide	1	C34A410001	
13	02010064	Screw M10X25	14		
14	02080007	Washer D.10	23		
15	23105058	Slider	4	C34A420002	
16	23105059	Slider	2	C34A420003	
17	02010049	Screw M10X30	2		
18	02020067	Screw M10X85	2		
19	02040012	Nut M10	8		
20	02090036	Screw M10X20	8		
21	26155126	Carriage	1	C34C421000	
22	02020058	Screw M10X80	4		
23	23135113	Hook	1	C34A000004	
24	02030011	Nut M10	1		
25	23135112	Guide	1	C34A420001	
26	27305055	Control box	1	C34C460000	
27	27105243	Carriage	1	C34C440000	

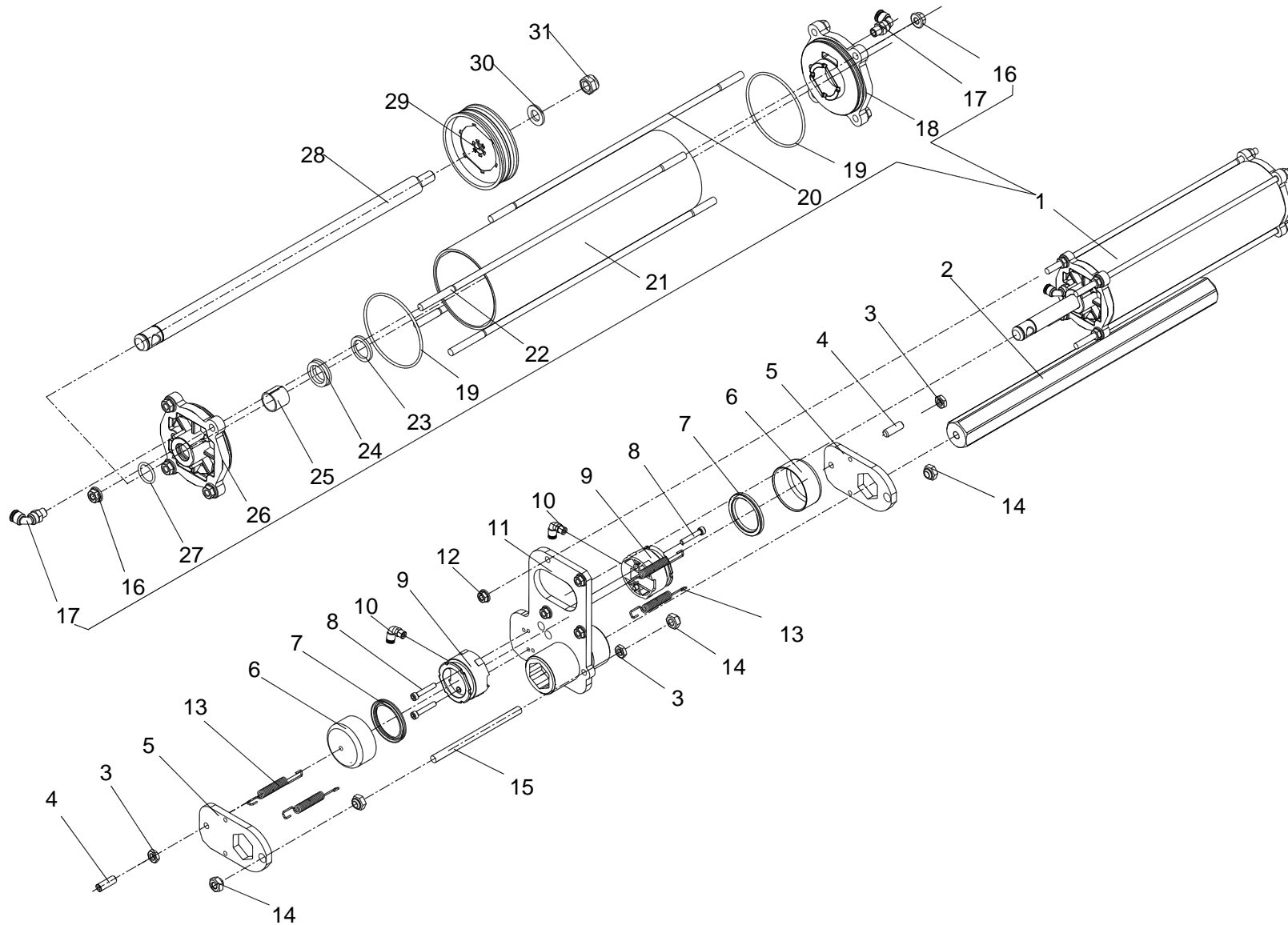


TAV5	RIGHT PRESS ARM	ED. 03/2020
------	-----------------	-------------

ITEM	PART NO.	DESCRIPTION	QTY	SPECS	REMARK
28	27305032	Cylinder unit 125X25X600	1	C00EQ32000	
29	26155158	Tool box	1	C34C470000	
30	26355011	Cover	1	C34A450300	
31	02020076	Screw M12X40	1		
32	02040007	Nut M12	4		
33	26355010	Cylinder support	1	C34A430000	
34	02020072	Screw M12X50	3		
35	03060084	Union D.4	2		
36	23335037	Support	1	C34C400001	
37	02050006	Washer D.6	2		
38	02020024	Screw M6X12	2		
39	26355017	Cover	1	C34C450200	
40	27305056	Pneumatic cylinder	1	C34C450000	
41	02020100	Screw M12X60	1		
42	26355016	Cover	1	C34C450100	
43	02050008	Washer D.8	4		
44	02040004	Nut M8	4		
45	02010078	Screw M12X25	1		
46	23135052	Washer	1	C00AQ32001	
47	24101233	Piston	1	C00AQ32006	
48	23135053	Washer	1	C00AQ32002	
49	23325012	Cylinder shaft	1	C00AQ32003	
50	23305018	Bush	1	C00EQ32001	
51	0305007	Guiding ring 25X10 X 2.5	1		
52	21401224	O-ring 25X2.65	1		
53	03110001	Scraper 33X25X4.5/6	1		
54	03060137	90 degree quick union 8-1/8	2		

TAV5	RIGHT PRESS ARM				ED. 03/2020
------	-----------------	--	--	--	-------------

ITEM	PART NO.	DESCRIPTION	QTY	SPECS	REMARK
55	02040007	Nut M12	8		
56	26335011	Cylinder flange	1	C00AQ32200	
57	03090090	O-ring 125X3.1	2		
58	23335026	Stud	4	C00AQ32005	
59	23365008	Cylinder liner 125X670	1	C00AQ32004	
60	26335010	Cylinder back flange	1	C00AQ32100	

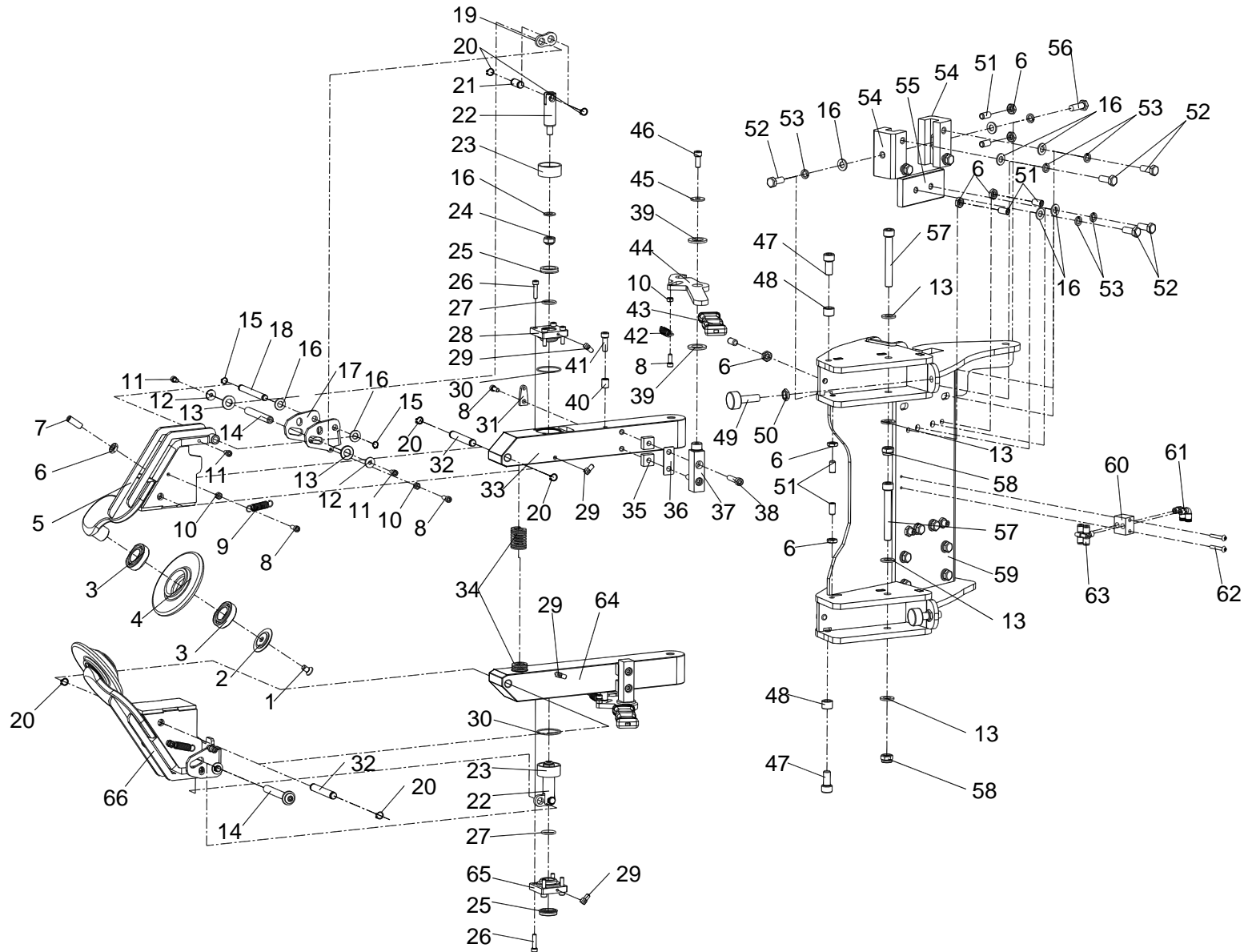


TAV5.1	PNEUMATIC CYLINDER	ED. 03/2020
--------	--------------------	-------------

ITEM	PART NO.	DESCRIPTION	QTY	SPECS	REMARK
1	27305057	Pneumatic cylinder	1	C00BQ31000A	
2	23125071	Hexagonal arm	1	C33P300001	
3	02040012	Nut M10	3		
4	02090022	Screw M10X30	2		
5	23345010	Locking plate	2	C33P330002	
6	23306020	Locking cylinder liner	2	YC2-4299524	
7	21400066	Seal	2	YC2-4299522	
8	02020027	Screw M6X35	4		
9	21200116	Piston	2	YC2-4299523	
10	03060035	90 degree quick union 4-1/8	2		
11	26345001	Support	1	C34C450300	
12	02040025	Nut M8	4		
13	22200038	Spring	4	C33B300007	
14	02040005	Nut M10	4		
15	02130021	Special screw M10X175	1		
16	02040025	Nut M8	8		
17	03060036	90 degree quick union 6-1/8	2		
18	23305008	Cylinder back flange	1	C00AQ35001	
19	06060188	O-ring 85X2.65	2		
20	23335030	Stud M8X390	2	C00AQ31004A	
21	23365009	Cylinder liner 90X320	1	C00BQ31002	
22	23330010	Stud M8X410	2	C00BQ31005A	
23	0606189	Washer 30X22X3	1	C00AQ35008	
24	06060187	Seal 20X35X8	1		
25	02100002	Bush SF-1/2020	1		
26	23305009	Front flange	1	C00AQ35002	
27	21400012	O-ring 20X2.75	1		

TAV5.1	PNEUMATIC CYLINDER				ED. 03/2020
--------	--------------------	--	--	--	-------------

ITEM	PART NO.	DESCRIPTION	QTY	SPECS	REMARK
28	23336009	Cylinder shaft	1	YCP-3008859	
29	06060186	Piston	1		
30	02050013	Washer D.12	1		
31	02040007	Nut M12	1		



TAV5.2	CARRIAGE	ED. 03/2020
--------	----------	-------------

ITEM	PART NO.	DESCRIPTION	QTY	SPECS	REMARK
1	02070070	Screw M8X16	2		
2	23135069	Cover	2	C05P000006	
3	02140001	Bear 6005	4		
4	21200438	Bead breaking disk	2	C33A310004	
5	26145046	Arm	1	C34C442200	
6	02040012	Nut M10	14		
7	02090022	Screw M10X30	2		
8	02020032	Screw M6X16	12		
9	22200031	Spring	4		
10	02030035	Nut M6	10		
11	02020030	Screw M6X10	8		
12	02050007	Washer D.6	4		
13	02050013	Washer D.12	8		
14	23125085	Pin	2	C34C442010	
15	02120013	Seeger D.10	4		
16	02050011	Washer D.10	22		
17	23145137	Support	2	C34C442012	
18	23145138	Pin	2	C34C442013	
19	23145129	Cam	2	C34C442014	
20	02120001	Seeger D.12	8		
21	23145131	Pin	2	C34C442003	
22	23325001	Piston rod	2	C34C442009	
23	03130003	Piston	2		
24	02040005	Nut M10	2		
25	21400013	Scraper 20x30x7	2		
26	02020034	Screw M6X25	8		
27	21400012	O-ring 20x2,75	2		

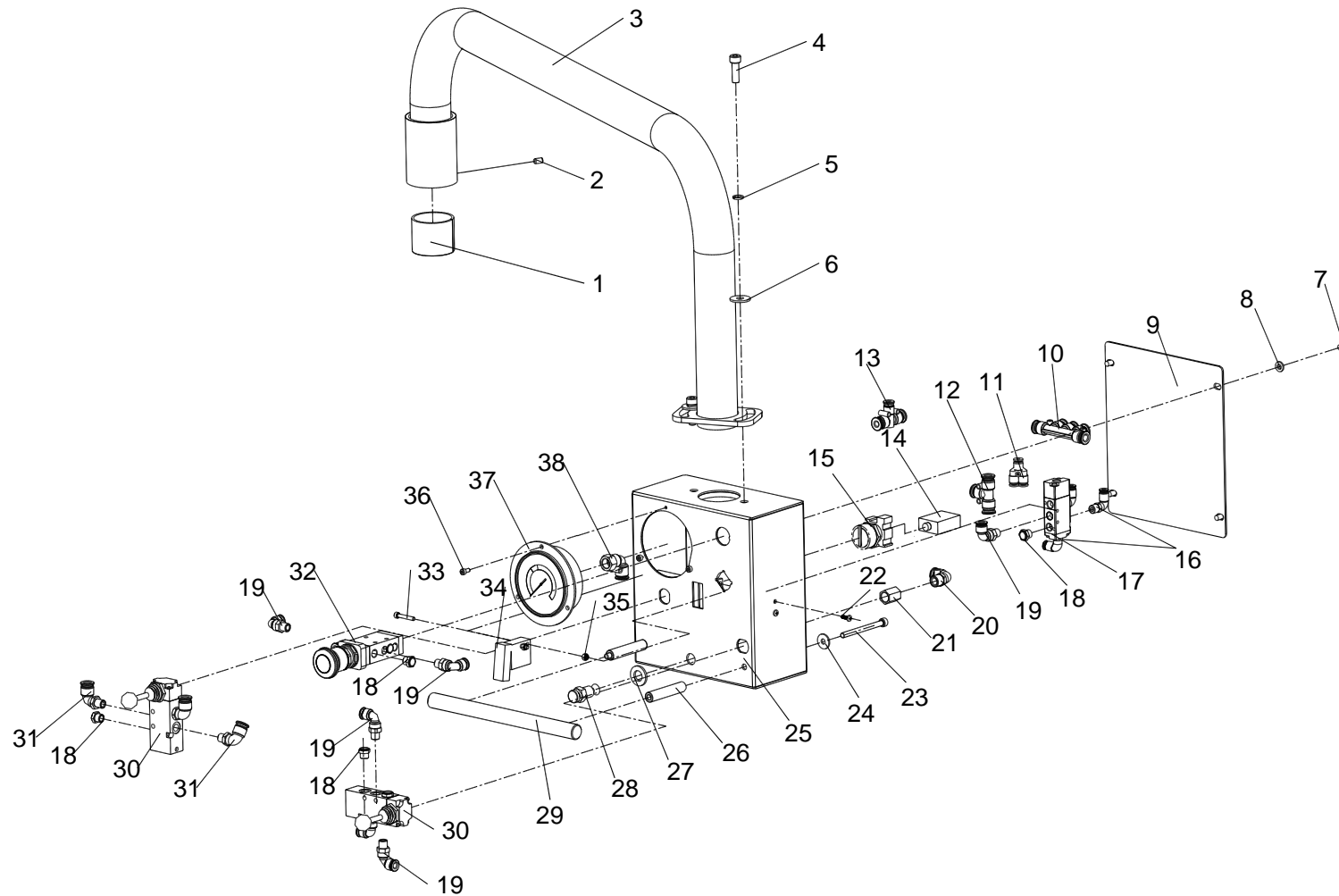
TAV5.2	CARRIAGE	ED. 03/2020
--------	----------	-------------

ITEM	PART NO.	DESCRIPTION	QTY	SPECS	REMARK
28	23345014	Front flange	1	C34C442008	
29	03060386	Union	4		
30	03090146	O-ring 38.7X1.8	2		
31	23145135	Support	2	C34C442007	
32	23145139	Pin	2	C34C442016	
33	23145128	Arm	1	C34C442002	
34	22400007	Spring	2	C24W400002	
35	23145133	Spacer	4	C34C442005	
36	23145136	Shim	2	C34C442011	
37	23145132	Pivot pin	2	C34C442004	
38	02020041	Screw M8X35	4		
39	02050021	Washer D.18	4		
40	23145134	Bush	2	C34C442006	
41	02020047	Screw M8X25	2		
42	C34C442015	Spring	2	C34C442015	
43	21401230	Handle	2	C34A440006	
44	23135129	Locking plate	2	C34C442001	
45	02050009	Washer D.8	2		
46	02020045	Screw M8X20	2		
47	02020109	Screw M12X25	2		
48	23126006	Bush	2	YC1-3015573	
49	21400068	Limit pin	2	C22A030001	
50	02040016	Nut M12	2		
51	02090036	Screw M10X20	12		
52	02010064	Screw M10X25	14		
53	02080007	Washer D.10	16		
54	23105056	Upper slider	4	C34A440001	



TAV5.2	<b>CARRIAGE</b>			<b>ED. 03/2020</b>
--------	-----------------	--	--	--------------------

ITEM	PART NO.	DESCRIPTION	QTY	SPECS	REMARK
55	23105057	Slider	2	C34A440002	
56	02010049	Screw M10X30	2		
57	02020095	Screw M12X90	2		
58	02040007	Nut M12	2		
59	26155157	Carriage	1	C34C441000	
60	23305022	Air divider	1	C34C440001	
61	03060035	90 degree quick union 4-1/8	2		
62	02060063	Screw M5X30	2		
63	03060029	Quick tee union $\Phi$ 4-1/8	2		
64	23145130	Arm	1	C34C443001	
65	23345013	Front flange	1	C34C443002	
66	26145045	Support	1	C34C443200	



TAV5.3	CONTROL BOX	ED. 03/2020
--------	-------------	-------------

ITEM	PART NO.	DESCRIPTION	QTY	SPECS	REMARK
1	02100063	Bush SF-1/4540	1		
2	02090037	Screw M6X10	1		
3	26355018	Support	1	C34C460100	
4	02020047	Screw M8X25	2		
5	02080006	Locking washer D.8	2		
6	02050009	Washer D.8	2		
7	02060050	Screw M6X10	4		
8	02050006	Washer D.6	4		
9	23355012	Cover	1	C34A460001	
10	03060028	Reducer union five-way 8-6	1		
11	03060114	T quick union 4	1		
12	03060022	Quick union T D.8	1		
13	03060301	Quick tee union D6-4	1		
14	03060250	Air valve	1	1000493109	
15	03060252	Selector	1	1003A00032	
16	03060035	90 degree quick union 4-1/8	3		
17	03060363	Control valve 4A110-06	1		
18	03060087	Silencer 1/8	8		
19	03060036	90 degree quick union 6-1/8	7		
20	03060032	90°quick union 8-1/4	1		
21	03060074	Union 1/4	1		
22	02070032	Self-tapping screw ST3.5X13	2		
23	02020048	Screw M6X70	2		
24	02050007	Washer D.6	2		
25	26355019	Box	1	C34C460200	
26	23335039	Spacer	2	C34C460003	
27	02050013	Washer D.12	1		

TAV5.3	CONTROL BOX	ED. 03/2020
--------	-------------	-------------

ITEM	PART NO.	DESCRIPTION	QTY	SPECS	REMARK
28	27106076	Relief pushbutton	1	YC2-4299354	
29	23335038	Handle	1	C34C460002	
30	03060254	Control valve 1/8	2		
31	03060277	Quick unionΦ8-1/8	3		
32	03060387	Stop valve (Red)	1		
33	02020005	Screw M4X25	2		
34	03060249	Arm control valve	1		
35	02040001	Nut M4	2		
36	02020008	Screw M4X8	3		
37	03050058	Pressure gauge	1		
38	03060039	Quick union 8-1/4	1		